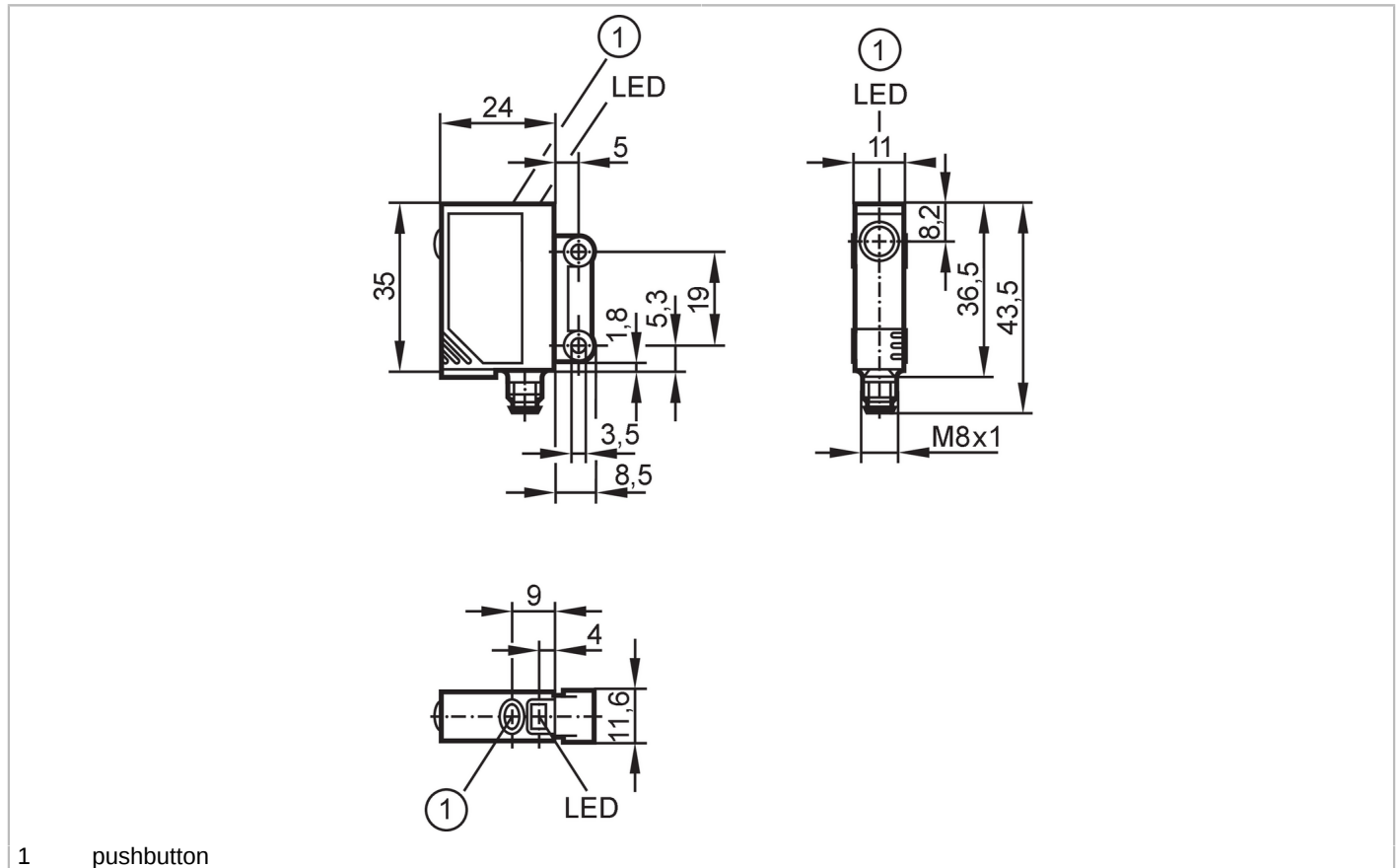




Retro-reflective sensor

OJP-FPKG/SO/AS



1 pushbutton



Product characteristics

Type of light	red light
Housing	rectangular

Application

Special feature	polarisation filter
Function principle	Retro-reflective sensor
Application	Industrial applications / factory automation

Electrical data

Operating voltage	[V]	10...30 DC
Current consumption	[mA]	< 22
Protection class		III
Reverse polarity protection		yes
Type of light		red light
Wave length	[nm]	660

Outputs

Electrical design		PNP
Output function		light-on/dark-on mode; (programmable)
Max. voltage drop switching output DC	[V]	2.5
Permanent current rating of switching output DC	[mA]	200

OJ5126



Retro-reflective sensor

OJP-FPKG/SO/AS

Switching frequency DC [Hz]	2000
Short-circuit protection	yes
Type of short-circuit protection	pulsed
Overload protection	yes

Detection zone	
Range referred to prismatic reflector [m]	0...2; (Prismatic reflector Ø 80 E20005)
Range adjustable	yes
Max. light spot diameter [mm]	64
Light spot dimensions refer to	at maximum range
Polarisation filter available	yes

Operating conditions	
Ambient temperature [°C]	-25...60
Protection	IP 67

Tests / approvals	
EMC	EN 60947-5-2
MTTF [years]	854

Mechanical data	
Weight [g]	27.55
Housing	rectangular
Dimensions [mm]	35 x 11 x 24
Materials	housing: ABS; LED window: SEPS; pushbutton: SEPS
Lens material	front pane:glass
Lens alignment	side lens

Displays / operating elements		
Display	switching status	1 x LED, yellow
	operation	1 x LED, green
	function	1 x LED, red
Electronic lock	yes	

Accessories	
Items supplied	screws: 2
	spring washers: 2
	Nuts: 2

Remarks	
Remarks	operating voltage "supply class 2" according to cULus
Pack quantity	1 pcs.

Electrical connection	
Connector: 1 x M8; coding: A; Contacts: 4	
	

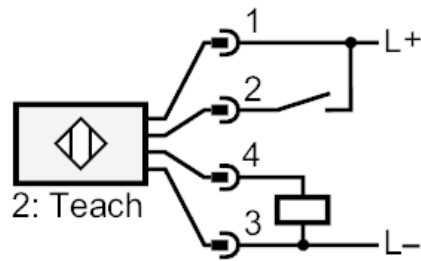
OJ5126



Retro-reflective sensor

OJP-FPKG/SO/AS

Connection



2 Teach

Diagrams and graphs

excess gain graph

