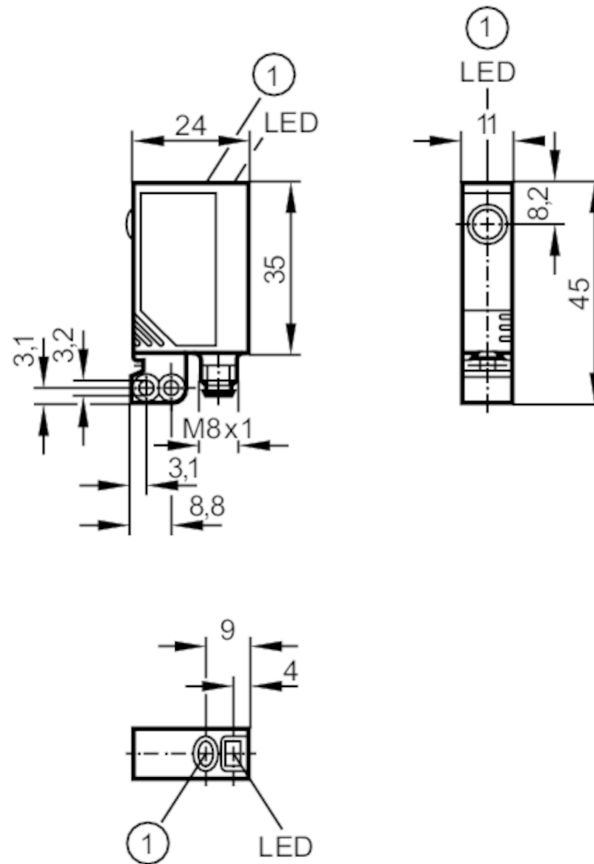




## Retro-reflective sensor for the detection of transparent objects

OJPGFPKG/SO/AS



1 pushbutton



### Product characteristics

Type of light	red light
Housing	rectangular
Dimensions [mm]	35 x 11 x 24

### Application

Special feature	polarisation filter
Function principle	Retro-reflective sensor

### Electrical data

Operating voltage [V]	10...30 DC
Current consumption [mA]	< 22
Protection class	III
Reverse polarity protection	yes
Type of light	red light
Wave length [nm]	660



## Retro-reflective sensor for the detection of transparent objects

OJPGFKG/SO/AS

Outputs		
Electrical design	PNP	
Output function	light-on/dark-on mode; (programmable)	
Max. voltage drop switching output DC [V]	2.5	
Permanent current rating of switching output DC [mA]	200	
Switching frequency DC [Hz]	2000	
Short-circuit protection	yes	
Type of short-circuit protection	pulsed	
Overload protection	yes	
Detection zone		
Range referred to prismatic reflector [m]	0.2...1.5; (Prismatic reflector 50 x 50 mm E20722)	
Range adjustable	yes	
Max. light spot diameter [mm]	64	
Light spot dimensions refer to	at maximum range	
Polarisation filter available	yes	
Operating conditions		
Ambient temperature [°C]	0...60	
Protection	IP 67	
Tests / approvals		
EMC	EN 60947-5-2	
MTTF [years]	854	
Mechanical data		
Weight [g]	49.2	
Housing	rectangular	
Dimensions [mm]	35 x 11 x 24	
Materials	housing: ABS; fixture: diecast zinc; LED window: SEPS; pushbutton: SEPS	
Lens material	glass	
Lens alignment	side lens	
Displays / operating elements		
Display	switching status	1 x LED, yellow
	operation	1 x LED, green
	function	1 x LED, red
Electronic lock	yes	
Accessories		
Items supplied	Basic clip: 1, E20964	
	screws: 2 x M3 x 16	
	spring washers: 2	
	Nuts: 2	
Remarks		
Remarks	operating voltage "supply class 2" according to cULus	
Pack quantity	1 pcs.	

# OJ5086



## Retro-reflective sensor for the detection of transparent objects

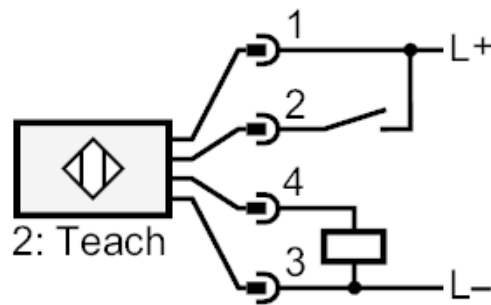
OJPGFPKG/SO/AS

### Electrical connection

Connector: 1 x M8



### Connection



2

Teach



## Retro-reflective sensor for the detection of transparent objects

OJPGFPKG/SO/AS

### Diagrams and graphs

excess gain graph

