

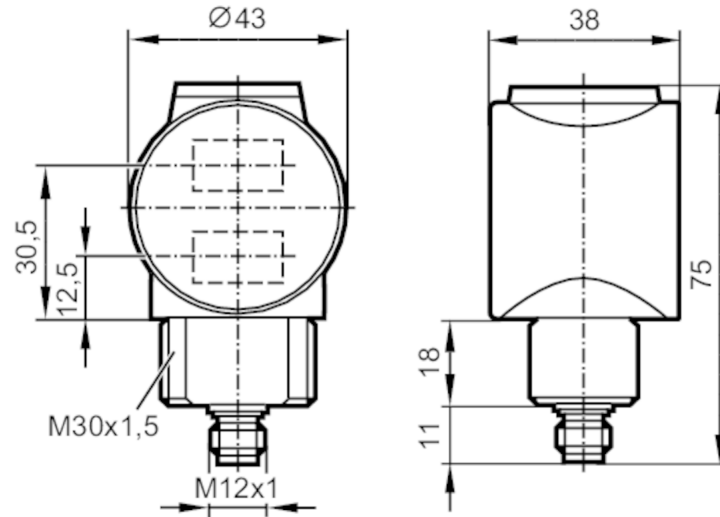
OIH280



Diffuse reflection sensor with background suppression

OIH-HPKG/US/600MM

Article no longer available - archive entry



1 potentiometer



Product characteristics

Type of light	red light
Dimensions [mm]	M30 x 1.5

Application

Special feature	Background suppression
Function principle	Diffuse reflection sensor

Electrical data

Operating voltage [V]	10...30 DC; ("supply class 2" to cULus)
Current consumption [mA]	35
Protection class	III
Reverse polarity protection	yes
Type of light	red light
Wave length [nm]	625

Outputs

Electrical design	PNP
Output function	light-on mode
Max. voltage drop switching output DC [V]	2.5
Permanent current rating of switching output DC [mA]	200
Switching frequency DC [Hz]	300
Short-circuit protection	yes
Type of short-circuit protection	pulsed
Overload protection	yes

OIH280



Diffuse reflection sensor with background suppression

OIH-HPKG/US/600MM

Detection zone		
Range	[mm]	< 600; (white paper 200 x 200 mm 90% remission)
Range on white object (90 % remission)	[mm]	< 600
Range on grey object (18 % remission)	[mm]	< 596
Range on black object (6 % remission)	[mm]	< 578
Range adjustable		no
Max. light spot diameter	[mm]	30
Light spot dimensions refer to		at maximum range
Background suppression available		yes

Operating conditions		
Ambient temperature	[°C]	-25...60
Protection		IP 67

Tests / approvals		
EMC		EN 60947-5-2
MTTF	[years]	916

Mechanical data		
Weight	[g]	211
Dimensions	[mm]	M30 x 1.5
Thread designation		M30 x 1.5
Materials		diecast zinc nickel-plated
Lens material		PMMA

Displays / operating elements		
Display	switching status	1 x LED, yellow
	operation	1 x LED, green

Accessories		
Items supplied		lock nut: 1 x

Remarks		
Pack quantity		1 pcs.

Electrical connection		
Connector: 1 x M12		



OIH280



Diffuse reflection sensor with background suppression

OIH-HPKG/US/600MM

Connection

