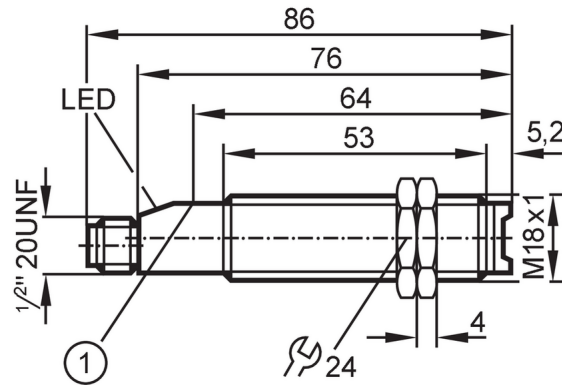




## Diffuse reflection sensor

OGT-HBOA/LS-100-GK



1 pushbutton



### Product characteristics

Type of light	infrared light
Housing	threaded type

### Application

Function principle	Diffuse reflection sensor
--------------------	---------------------------

### Electrical data

Frequency AC	[Hz]	47...63
Operating voltage	[V]	20...250 AC/DC
Protection class		II
Reverse polarity protection		no
Type of light		infrared light
Wave length	[nm]	880

### Outputs

Output function		light-on mode
Max. voltage drop switching output DC	[V]	8
Max. voltage drop switching output AC	[V]	8
Minimum load current	[mA]	5
Max. leakage current	[mA]	1.7
Permanent current rating of switching output AC	[mA]	90; (180 (...40 °C))
Permanent current rating of switching output DC	[mA]	90; (180 (...40 °C))
Short-time current rating of switching output	[mA]	600; (20 ms / 0,5 Hz)
Switching frequency AC	[Hz]	25
Switching frequency DC	[Hz]	25
Short-circuit proof		no
Overload protection		no

### Detection zone

Range	[mm]	1...600; (white paper 200 x 200 mm 90% remission)
-------	------	---

# OG0035



## Diffuse reflection sensor

OGT-HBOA/LS-100-GK

Range adjustable	yes
Max. light spot diameter [mm]	169
Light spot dimensions refer to	at maximum range

### Operating conditions

Ambient temperature [°C]	-25...80
Protection	IP 67

### Tests / approvals

EMC	EN 60947-5-2	
	EN 55011	class B
MTTF [years]	338	

### Mechanical data

Weight [g]	27.5
Housing	threaded type
Dimensions [mm]	M18 x 1 / L = 76
Thread designation	M18 x 1
Materials	housing: PBT
Lens material	front pane:PMMA

### Displays / operating elements

Display	switching status	1 x LED, red
	function	1 x LED, red flashing

### Electrical connection

Required protection	miniature fuse to IEC60127-2 sheet 1; ≤ 2 A; fast acting
---------------------	--

### Accessories

Items supplied	lock nuts: 2
----------------	--------------

### Remarks

Remarks	Recommendation: Check the safe functioning of the unit after a short circuit.
Pack quantity	1 pcs.

### Electrical connection

Connector: 1 x 1/2"; coding: C

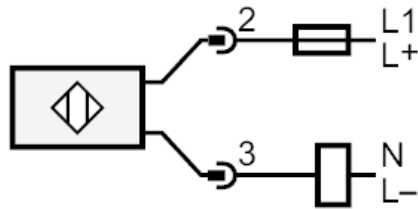




## Diffuse reflection sensor

OGT-HBOA/LS-100-GK

### Connection



Note : miniature fuse to IEC60127-2 sheet 1  $\leq$  2 A fast acting

### Diagrams and graphs

excess gain graph

