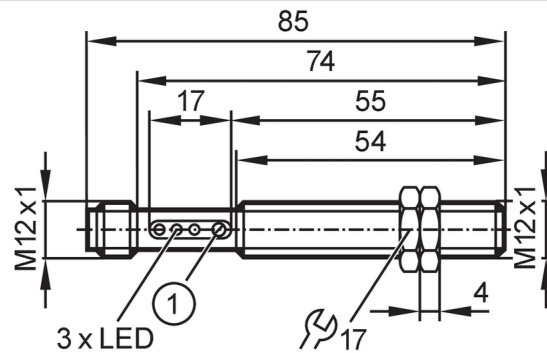


OF5062



Retro-reflective sensor

OFP-FNKG/US-100



1 potentiometer



Product characteristics

Type of light	red light
Housing	threaded type

Application

Special feature	polarisation filter; Function check output
Function principle	Retro-reflective sensor
Application	Industrial applications / factory automation

Electrical data

Operating voltage [V]	10...36 DC
Current consumption [mA]	< 35
Protection class	II
Reverse polarity protection	yes
Type of light	red light
Wave length [nm]	660

Outputs

Electrical design	NPN
Output function	light-on/dark-on mode; (programmable)
Max. voltage drop switching output DC [V]	2.5
Function check output	yes
Max. voltage drop of function check output [V]	3.5
Max. current load for function check output [mA]	10
Permanent current rating of switching output DC [mA]	200
Switching frequency DC [Hz]	320
Short-circuit protection	yes
Type of short-circuit protection	pulsed
Overload protection	yes

OF5062



Retro-reflective sensor

OFP-FNKG/US-100

Detection zone		
Range referred to prismatic reflector	[m]	0.2...0.8; (Prismatic reflector Ø 80 E20005)
Range adjustable		yes
Max. light spot diameter	[mm]	70
Light spot dimensions refer to		at maximum range
Polarisation filter available		yes
Operating conditions		
Ambient temperature	[°C]	-25...60
Protection		IP 65
Tests / approvals		
EMC	EN 60947-5-2	
	EN 55011	class B
MTTF	[years]	609
UL approval	Ta	< 40 °C
	Enclosure type	Type 1
	power supply	Limited Voltage/Current
	UL approval no.	E030
	File number UL	E174191
Mechanical data		
Weight	[g]	40.5
Housing		threaded type
Dimensions	[mm]	M12 x 1 / L = 74
Thread designation		M12 x 1
Materials		housing: brass white bronze coated
Lens material		front pane:PMMA
Displays / operating elements		
Display	switching status	1 x LED, yellow
	operation	1 x LED, green
	function	1 x LED, red
Accessories		
Items supplied		lock nuts: 2 screwdrivers
Remarks		
Pack quantity		1 pcs.
Electrical connection		
Connector: 1 x M12; coding: A; Contacts: 4		

OF5062



Retro-reflective sensor

OFP-FNKG/US-100

Connection



2 Function check output

Diagrams and graphs

excess gain graph

