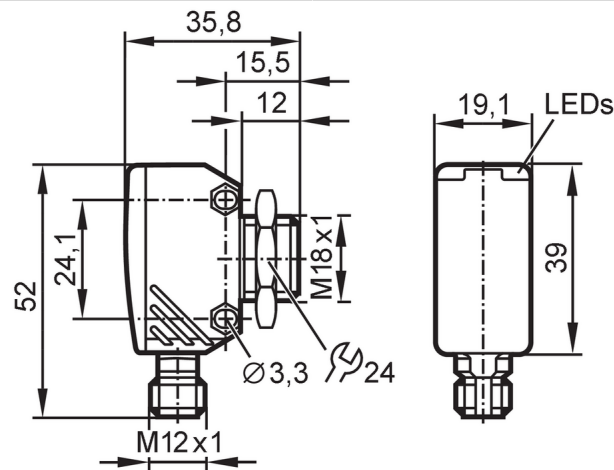


OGP282



Retro-reflective sensor

OGP-DNKG/US/CUBE



transmitter in lower lens
receiver in upper lens



Product characteristics

Type of light	red light
Housing	rectangular with M18 thread

Application

Special feature	polarisation filter
Function principle	Retro-reflective sensor

Electrical data

Operating voltage	[V]	10...30 DC
Current consumption	[mA]	25
Protection class		III
Reverse polarity protection		yes
Type of light		red light
Wave length	[nm]	624

Outputs

Electrical design		NPN
Output function		dark-on mode
Max. voltage drop switching output DC	[V]	2.5
Permanent current rating of switching output DC	[mA]	200
Switching frequency DC	[Hz]	1000
Short-circuit protection		yes
Type of short-circuit protection		pulsed
Overload protection		yes

Detection zone

Range referred to prismatic reflector	[m]	0.1...4; (Prismatic reflector Ø 80 E20005)
Range adjustable		no

OGP282



Retro-reflective sensor

OGP-DNKG/US/CUBE

Max. light spot diameter [mm]	160
Light spot dimensions refer to	at maximum range
Polarisation filter available	yes

Operating conditions

Ambient temperature [°C]	-25...60
Protection	IP 67

Tests / approvals

EMC	EN 60947-5-2
MTTF [years]	905

Mechanical data

Weight [g]	59.5
Housing	rectangular with M18 thread
Dimensions [mm]	52 x 19.1 x 38.8
Thread designation	M18 x 1
Materials	housing: diecast zinc; rear of the housing: PEI
Lens material	front pane:PMMA
Lens alignment	side lens

Displays / operating elements

Display	switching status	1 x LED, yellow
	operation	1 x LED, green

Accessories

Items supplied	lock nut: 1
----------------	-------------

Remarks

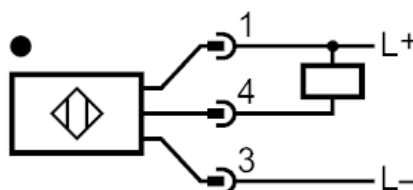
Remarks	operating voltage "supply class 2" according to cULus
Pack quantity	1 pcs.

Electrical connection

Connector: 1 x M12; coding: A; Contacts: 4



Connection



OGP282



Retro-reflective sensor

OGP-DNKG/US/CUBE

Diagrams and graphs

excess gain graph

