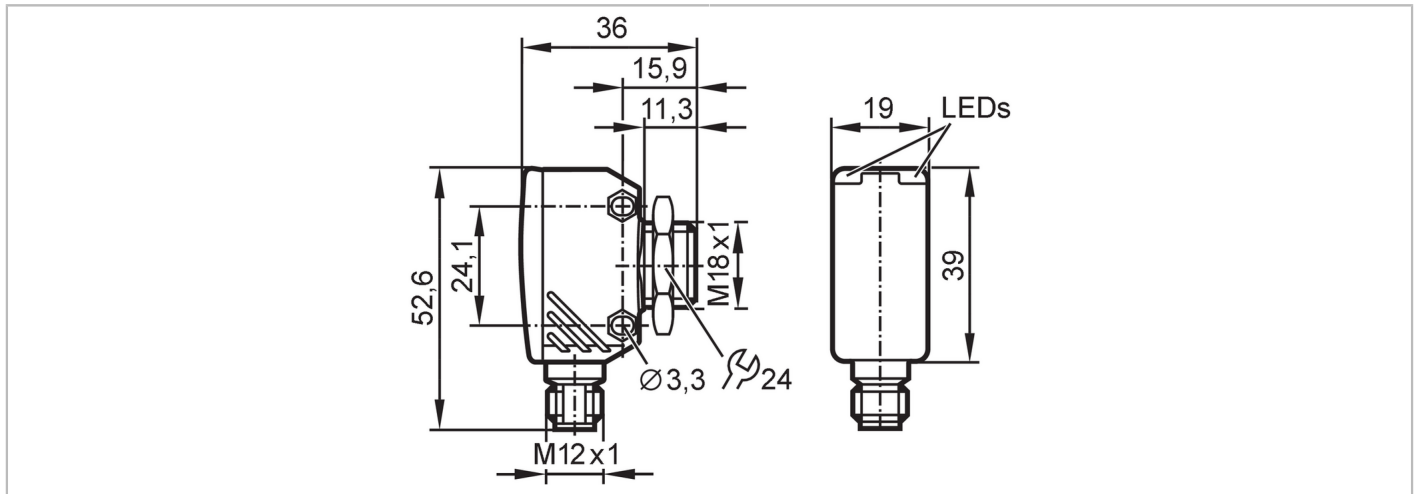


OGP281



Retro-reflective sensor

OGP-HPKG/US/CUBE



Product characteristics		
Type of light		red light
Housing		rectangular with M18 thread
Application		
Special feature		polarisation filter
Function principle		Retro-reflective sensor
Electrical data		
Operating voltage	[V]	10...30 DC; ("supply class 2" to cULus)
Rated insulation voltage	[V]	32
Current consumption	[mA]	21
Protection class		III
Reverse polarity protection		yes
Max. power-on delay time	[ms]	300
Type of light		red light
Wave length	[nm]	662
Outputs		
Electrical design		PNP
Output function		light-on mode
Max. voltage drop switching output DC	[V]	2.5
Permanent current rating of switching output DC	[mA]	200
Switching frequency DC	[Hz]	1000
Short-circuit protection		yes
Type of short-circuit protection		pulsed
Detection zone		
Range referred to prismatic reflector	[m]	0.1...4; (Prismatic reflector Ø 80 E20005)
Max. light spot diameter	[mm]	160

OGP281



Retro-reflective sensor

OGP-HPKG/US/CUBE

Light spot dimensions refer to	at maximum range
Polarisation filter available	yes

Interfaces

Communication interface	IO-Link	
Transmission type	COM2 (38,4 kBaud)	
IO-Link revision	1.1	
SDCI standard	IEC 61131-9	
Profiles	Smart Sensor - SSP 0	Generic Profiled Sensor
	Common - I&D	Identification and Diagnosis
	Function	Multiple switching signal
	Function	Teach channel
SIO mode	yes	
Required master port type	A	
Min. process cycle time [ms]	2.5	
IO-Link process data (cyclical)	function	bit length
	device status	4
	binary switching information	1
IO-Link functions (acyclical)	application specific tag; operating hours counter; switching cycles counter	
Supported DeviceIDs	Type of operation	DeviceID
	default	1145
Note	For further information please see the IO-Link PDF file under "Downloads"	

Operating conditions

Ambient temperature [°C]	-25...60
Storage temperature [°C]	-40...60
Protection	IP 65; IP 67

Tests / approvals

EMC	EN 60947-5-2	
MTTF [years]	905	
UL approval	Ta	-25...60 °C
	Enclosure type	Type 1
	power supply	Class 2
	File number UL	E174191

Mechanical data

Weight [g]	59	
Housing	rectangular with M18 thread	
Dimensions [mm]	52.6 x 19 x 36	
Thread designation	M18 x 1	
Materials	housing: diecast zinc; rear of the housing: PEI	
Lens material	front pane:PMMA	
Lens alignment	side lens	

Displays / operating elements

Display	switching status	1 x LED, yellow
	operation	1 x LED, green

Accessories

Items supplied	lock nut: 1
----------------	-------------

OGP281



Retro-reflective sensor

OGP-HPKG/US/CUBE

Remarks

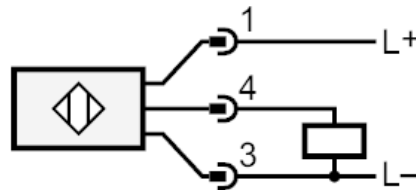
Remarks	operating voltage "supply class 2" according to cULus
Pack quantity	1 pcs.

Electrical connection

Connector: 1 x M12; coding: A



Connection



Diagrams and graphs

excess gain graph

