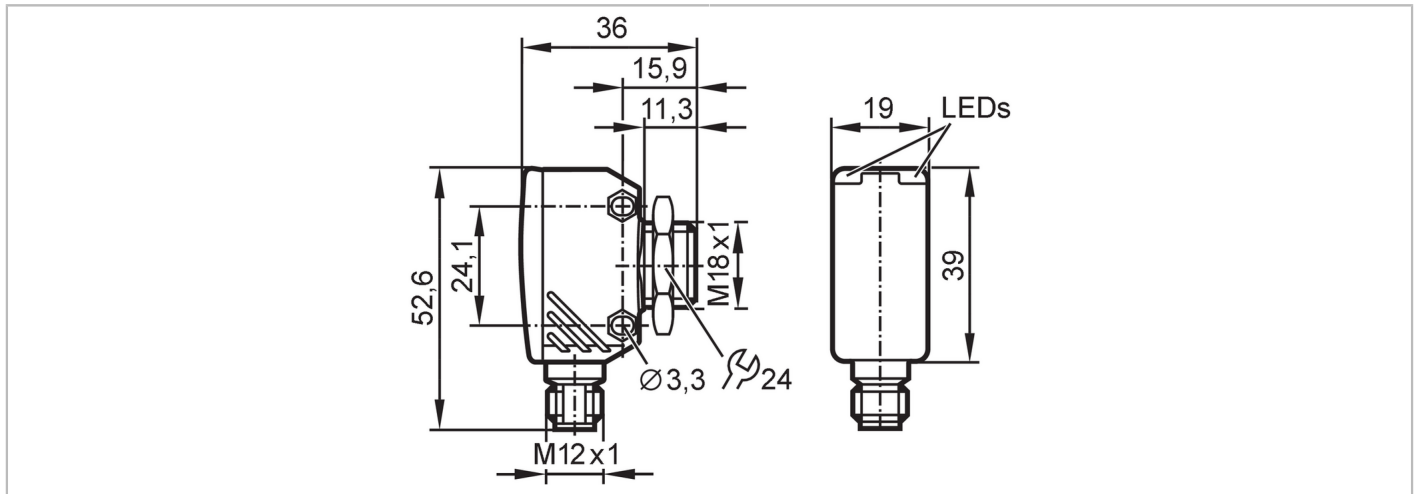


# OGP280



## Retro-reflective sensor

OGP-DPKG/US/CUBE



Product characteristics	
Type of light	red light
Housing	rectangular with M18 thread
Application	
Special feature	polarisation filter
Function principle	Retro-reflective sensor
Application	Industrial applications / factory automation
Electrical data	
Operating voltage [V]	10...30 DC; ("supply class 2" to cULus)
Rated insulation voltage [V]	32
Current consumption [mA]	21
Protection class	III
Reverse polarity protection	yes
Max. power-on delay time [ms]	300
Type of light	red light
Wave length [nm]	662
Outputs	
Electrical design	PNP
Output function	dark-on mode
Max. voltage drop switching output DC [V]	2.5
Permanent current rating of switching output DC [mA]	200
Switching frequency DC [Hz]	1000
Short-circuit protection	yes
Type of short-circuit protection	pulsed
Detection zone	
Range referred to prismatic reflector [m]	0.1...4; (Prismatic reflector Ø 80 E20005)

# OGP280



## Retro-reflective sensor

OGP-DPKG/US/CUBE

Max. light spot diameter [mm]	160
Light spot dimensions refer to	at maximum range
Polarisation filter available	yes

### Interfaces

Communication interface	IO-Link	
Transmission type	COM2 (38,4 kBaud)	
IO-Link revision	1.1	
SDCI standard	IEC 61131-9	
Profiles	Smart Sensor - SSP 0	Generic Profiled Sensor
	Common - I&D	Identification and Diagnosis
	Function	Multiple switching signal
	Function	Teach channel
SIO mode	yes	
Required master port type	A	
Min. process cycle time [ms]	2.5	
IO-Link process data (cyclical)	<b>function</b>	<b>bit length</b>
	device status	4
	binary switching information	1
IO-Link functions (acyclical)	application specific tag; operating hours counter; switching cycles counter	
Supported DeviceIDs	<b>Type of operation</b>	<b>DeviceID</b>
	default	1134
Note	For further information please see the IODD PDF file under "Downloads"	

### Operating conditions

Ambient temperature [°C]	-25...60
Storage temperature [°C]	-40...60
Protection	IP 65; IP 67

### Tests / approvals

EMC	EN 60947-5-2	
MTTF [years]	905	
UL approval	Ta	-25...60 °C
	Enclosure type	Type 1
	voltage supply	Class 2
	File number UL	E174191

### Mechanical data

Weight [g]	58.5
Housing	rectangular with M18 thread
Dimensions [mm]	52.6 x 19 x 36
Thread designation	M18 x 1
Materials	housing: diecast zinc; rear of the housing: PEI
Lens material	front pane:PMMA
Lens alignment	side lens

### Displays / operating elements

Display	switching status	1 x LED, yellow
	operation	1 x LED, green

# OGP280



## Retro-reflective sensor

OGP-DPKG/US/CUBE

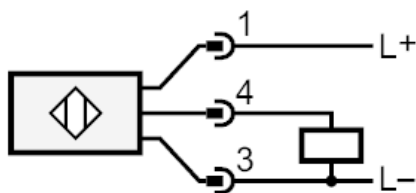
Accessories	
Items supplied	lock nut: 1
Remarks	
Remarks	operating voltage "supply class 2" according to cULus
Pack quantity	1 pcs.

### Electrical connection

Connector: 1 x M12; coding: A; Contacts: 4



### Connection



### Diagrams and graphs

excess gain graph

