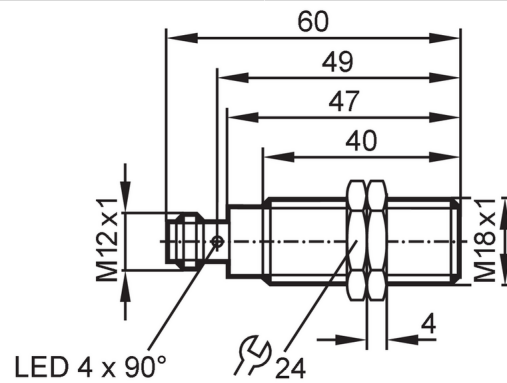


# OGP200



## Retro-reflective sensor

OGP-DPKG/US100



### Product characteristics

Type of light	red light
Housing	threaded type

### Application

Special feature	polarisation filter
Function principle	Retro-reflective sensor
Application	Industrial applications / factory automation

### Electrical data

Operating voltage [V]	10...36 DC
Current consumption [mA]	15
Protection class	II
Reverse polarity protection	yes
Type of light	red light
Wave length [nm]	624

### Outputs

Electrical design	PNP
Output function	dark-on mode
Max. voltage drop switching output DC [V]	2.5
Permanent current rating of switching output DC [mA]	200
Switching frequency DC [Hz]	1000
Short-circuit protection	yes
Type of short-circuit protection	pulsed
Overload protection	yes

### Detection zone

Range referred to prismatic reflector [m]	0.03...4; (Prismatic reflector Ø 80 E20005)
Range adjustable	no
Max. light spot diameter [mm]	160
Light spot dimensions refer to	at maximum range

# OGP200



## Retro-reflective sensor

OGP-DPKG/US100

Polarisation filter available	yes
-------------------------------	-----

### Operating conditions

Ambient temperature [°C]	-25...60
--------------------------	----------

Protection	IP 67
------------	-------

### Tests / approvals

EMC	EN 60947-5-2
-----	--------------

MTTF [years]	509
--------------	-----

### Mechanical data

Weight [g]	49.75
------------	-------

Housing	threaded type
---------	---------------

Dimensions [mm]	M18 x 1 / L = 60
-----------------	------------------

Thread designation	M18 x 1
--------------------	---------

Materials	housing: stainless steel (316L/1.4404)
-----------	--

Lens material	front pane:PMMA
---------------	-----------------

### Displays / operating elements

Display	switching status	1 x LED, yellow
---------	------------------	-----------------

### Accessories

Items supplied	lock nuts: 2
----------------	--------------

### Remarks

Remarks	operating voltage "supply class 2" according to cULus
---------	---

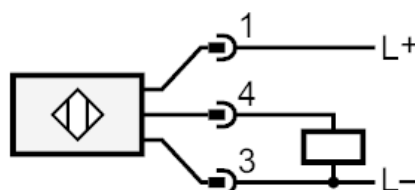
Pack quantity	1 pcs.
---------------	--------

### Electrical connection

Connector: 1 x M12; coding: A; Contacts: 4



### Connection



# OGP200



## Retro-reflective sensor

OGP-DPKG/US100

### Diagrams and graphs

excess gain graph

