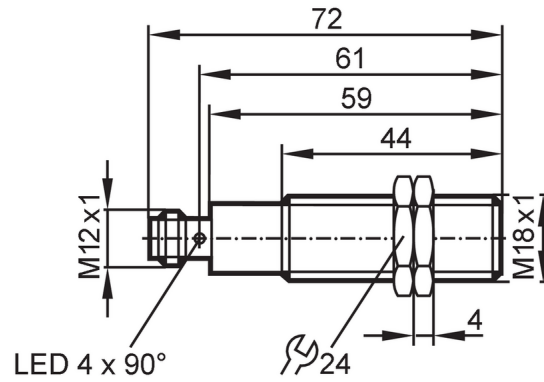


# OGH300



## Diffuse reflection sensor with background suppression

OGH-HPKG/US100



transmitter in lower lens  
receiver in upper lens



### Product characteristics

Type of light	red light
Housing	threaded type

### Application

Special feature	Background suppression
Function principle	Diffuse reflection sensor

### Electrical data

Operating voltage [V]	10...36 DC
Current consumption [mA]	25
Protection class	II
Reverse polarity protection	yes
Type of light	red light
Wave length [nm]	624

### Outputs

Electrical design	PNP
Output function	light-on mode
Max. voltage drop switching output DC [V]	2.5
Permanent current rating of switching output DC [mA]	150; (200 (...60 °C))
Switching frequency DC [Hz]	1000
Short-circuit protection	yes
Type of short-circuit protection	pulsed
Overload protection	yes

### Detection zone

Range [mm]	< 100; (white paper 200 x 200 mm 90% remission)
Range on white object (90 % remission) [mm]	< 100
Range on grey object (18 % remission) [mm]	< 100

# OGH300



## Diffuse reflection sensor with background suppression

OGH-HPKG/US100

Range on black object (6 % remission) [mm]	< 100
Range adjustable	no
Max. light spot diameter [mm]	9
Light spot dimensions refer to	Range
Background suppression available	yes

### Operating conditions

Ambient temperature [°C]	-25...80
Protection	IP 65; IP 67; IP 68; IP 69K

### Tests / approvals

EMC	EN 60947-5-2
MTTF [years]	372

### Mechanical data

Weight [g]	54.5
Housing	threaded type
Dimensions [mm]	M18 x 1 / L = 72
Thread designation	M18 x 1
Materials	housing: stainless steel (316L/1.4404); Sealing: EPDM
Lens material	front pane:PMMA

### Displays / operating elements

Display	switching status	1 x LED, yellow
---------	------------------	-----------------

### Accessories

Items supplied	lock nuts: 2
----------------	--------------

### Remarks

Remarks	operating voltage "supply class 2" according to cULus
Pack quantity	1 pcs.

### Electrical connection

Connector: 1 x M12; coding: A



### Connection

