

OGH500



Diffuse reflection sensor with background suppression

OGH-FPKG/US100



1 programming buttons



Product characteristics

Type of light	red light
Housing	threaded type

Application

Special feature	Background suppression
Function principle	Diffuse reflection sensor
Application	Industrial applications / factory automation

Electrical data

Operating voltage	[V]	10...36 DC
Current consumption	[mA]	25
Protection class		II
Reverse polarity protection		yes
Type of light		red light
Wave length	[nm]	624

Outputs

Electrical design		PNP
Output function		light-on/dark-on mode; (programmable)
Max. voltage drop switching output DC	[V]	2.5
Permanent current rating of switching output DC	[mA]	150; (200 (...60 °C))
Switching frequency DC	[Hz]	1000
Factory setting		light-on mode
Short-circuit protection		yes
Type of short-circuit protection		pulsed
Overload protection		yes

Detection zone

Range	[mm]	15...300; (white paper 200 x 200 mm 90% remission)
Range on white object (90 % remission)	[mm]	15...300

OGH500



Diffuse reflection sensor with background suppression

OGH-FPKG/US100

Range on grey object (18 % remission) [mm]	15...290
Range on black object (6 % remission) [mm]	15...190
Range adjustable	yes
Max. light spot diameter [mm]	25
Light spot dimensions refer to	at maximum range
Background suppression available	yes

Operating conditions

Ambient temperature [°C]	-25...80
Protection	IP 67

Tests / approvals

EMC	EN 60947-5-2
MTTF [years]	362

Mechanical data

Weight [g]	61.1
Housing	threaded type
Dimensions [mm]	M18 x 1 / L = 72
Thread designation	M18 x 1
Materials	stainless steel (316L/1.4404); PA; LCP; EPDM; TPU
Lens material	front pane:PMMA

Displays / operating elements

Display	switching status	1 x LED, yellow
---------	------------------	-----------------

Accessories

Items supplied	lock nuts: 2
----------------	--------------

Remarks

Remarks	operating voltage "supply class 2" according to cULus
Pack quantity	1 pcs.

Electrical connection

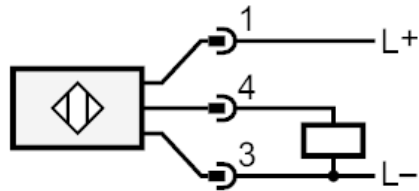
Connector: 1 x M12; coding: A; Contacts: 4



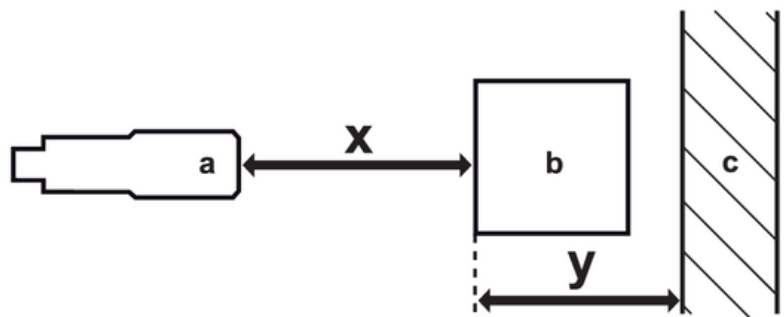
Diffuse reflection sensor with background suppression

OGH-FPKG/US100

Connection



Diagrams and graphs



- a: sensor
- b: object
- c: background
- x: distance sensor/object [mm]
- y: min. distance object/background [mm]

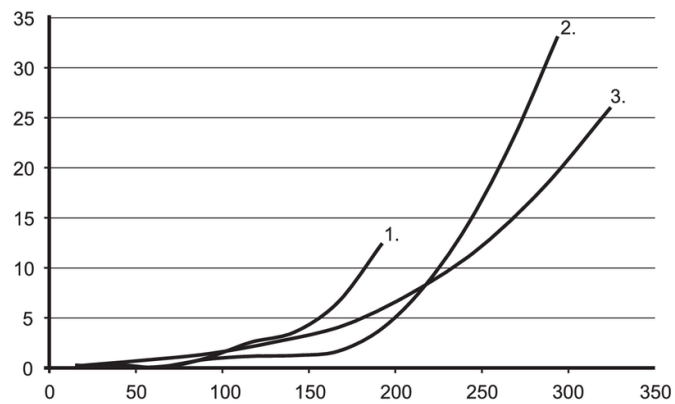
OGH500



Diffuse reflection sensor with background suppression

OGH-FPKG/US100

accuracy graph



x: distance sensor/object [mm]

y: min. distance object/background [mm]

1 = object black (6 % remission) , background white (90 % remission)

2 = object grey (18 % remission) , background white (90 % remission)

3 = object white (90 % remission) , background white (90 % remission)