



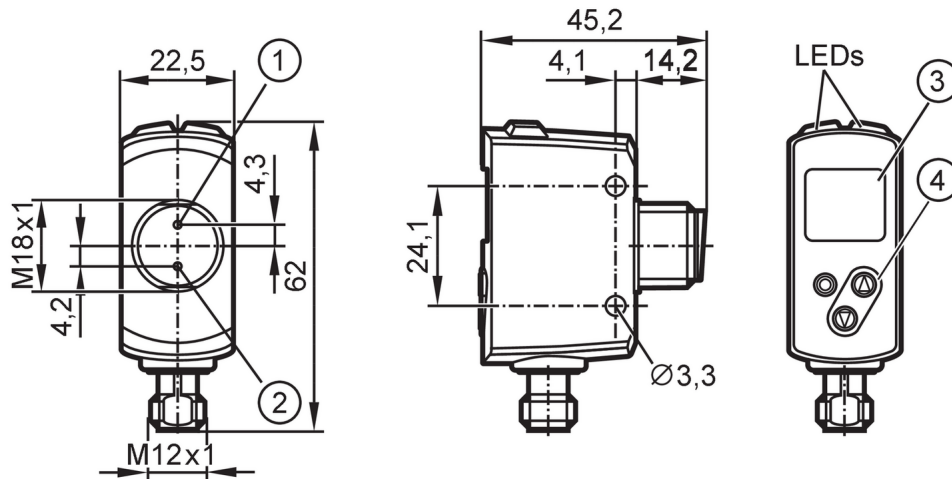
Photoelectric distance sensor

OGDLFPKG/IO-LINK/US

Article no longer available - archive entry

Alternative articles: OGD550 or OGD250

When selecting an alternative article and accessories please note that technical data may differ!



- 1 receiving element
- 2 transmitting element
- 3 alphanumeric display , 3-digit
- 4 programming buttons



Product characteristics

Type of light	red light
Laser protection class	1
Housing	rectangular with M18 thread

Application

Application	[m]	0.03...0.3
-------------	-----	------------

Electrical data

Operating voltage	[V]	10...30 DC; ("supply class 2" to cULus)
Current consumption	[mA]	< 75; (24 V)
Protection class		III
Reverse polarity protection		yes
Type of light		red light
Wave length	[nm]	650
Typ. lifetime	[h]	50000

Outputs

Electrical design		PNP
Output function		2 x normally open / normally closed; (parameterisable)
Permanent current rating of switching output DC	[mA]	100; (per output)
Type of short-circuit protection		pulsed
Overload protection		yes



Photoelectric distance sensor

OGDLFPKG/IO-LINK/US

Detection zone		
Max. light spot width	[mm]	3
Max. light spot height	[mm]	3
Light spot dimensions refer to		at maximum range
Background suppression	[m]	0.03...19.2
Measuring/setting range		
Measuring range	[m]	0.025...0.3
Sampling rate	[Hz]	33
Interfaces		
Communication interface		IO-Link
Transmission type		COM2 (38,4 kBaud)
IO-Link revision		1.1
SDCI standard		IEC 61131-9
Profiles	Smart Sensor - SSP 0	Generic Profiled Sensor
	Function	Device identification
	Function	Process data variable
	Function	Device diagnosis
	Function	Teach channel
SIO mode		yes
Required master port type		A
Process data analogue		2
Process data binary		2
Min. process cycle time	[ms]	5
Supported DeviceIDs	Type of operation	DeviceID
	default	1012
Operating conditions		
Ambient temperature	[°C]	-25...50
Note on ambient temperature		In ambient temperatures < -10 °C a warm-up time is necessary. Laser is off.
Storage temperature	[°C]	-30...80
Protection		IP 65; IP 67
Tests / approvals		
EMC	EN 60947-5-2	
Laser protection class		1
Notes on laser protection	Caution:	laser light
	laser class:	1
		EN / IEC60825-1:2007
		EN / IEC60825-1:2014
		Complies with 21 CFR 1040.10 except for conformance with IEC 60825-1 Ed. 3, as described in Laser Notice No. 56, dated May 8, 2019.
MTTF	[years]	181
Mechanical data		
Weight	[g]	205
Housing		rectangular with M18 thread

OGD592



Photoelectric distance sensor

OGDLFPKG/IO-LINK/US

Dimensions	[mm]	61.7 x 22.5 x 45.2
Thread designation		M18 x 1
Materials		housing: stainless steel (316L/1.4404); PPSU; ABS; PMMA; PBT / PC; EPDM; front pane: glass
Lens alignment		side lens

Displays / operating elements

Display	switching status	2 x LED, yellow
		1 x alphanumeric display, 3-digit

Accessories

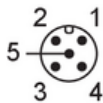
Items supplied	lock nuts: 2
----------------	--------------

Remarks

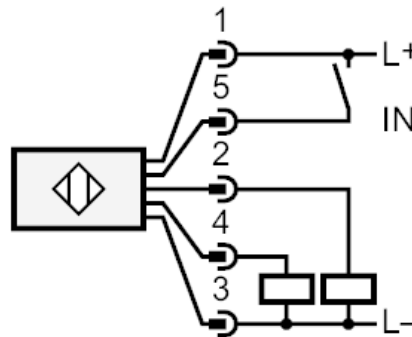
Remarks	operating voltage "supply class 2" according to cULus
Pack quantity	1 pcs.

Electrical connection

Connector: 1 x M12; coding: A



Connection



- 2: OUT2: switching output
- 4: OUT1: switching output or IO-Link
- 5: IN1: Laser On/ Off

OGD592



Photoelectric distance sensor

OGDLFPKG/IO-LINK/US

Other data		
Parameter	Setting range	Factory setting
Uni	mm, inch	mm
OU1	Hno, Hnc, Fno, Fnc, OFF	Hno
SP1 [mm]	30...300	300
nP1 [mm]	30...300	90
FP1 [mm]	30...300	110
OU2	Hno, Hnc, Fno, Fnc, OFF	Hno
SP2 [mm]	30...300	30
nP2 [mm]	30...300	190
FP2 [mm]	30...300	210
dS1 [s]	0...0.1...5	0
dr1 [s]	0...0.1...5	0
dS2 [s]	0...0.1...5	0
dr2 [s]	0...0.1...5	0
dFo [s]	0...0.1...5	0.1
dIS	ON / OFF	ON

Repeatability: 6 σ

	repeatability of the measured values	
distance	white (90 % remission)	black (6 %...90 % remission)
25...300 mm	2.0 mm	5.0 mm

The values apply at

Extraneous light on the object	< 10 klx
constant ambient conditions	23 °C / 960 hPa
minimum power-on time in minutes	15

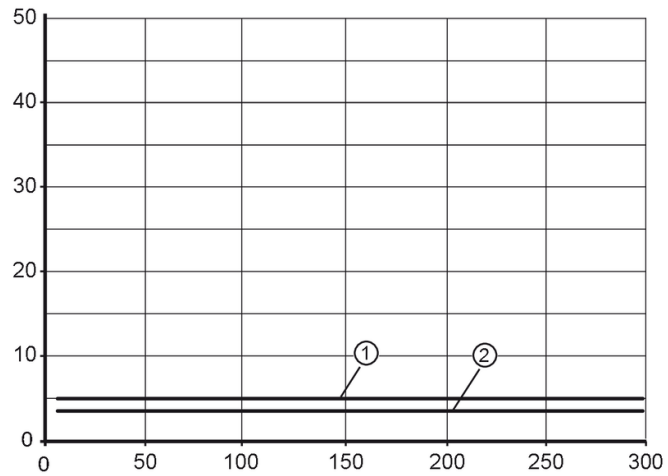


Photoelectric distance sensor

OGDLFPKG/IO-LINK/US

Diagrams and graphs

hysteresis graph

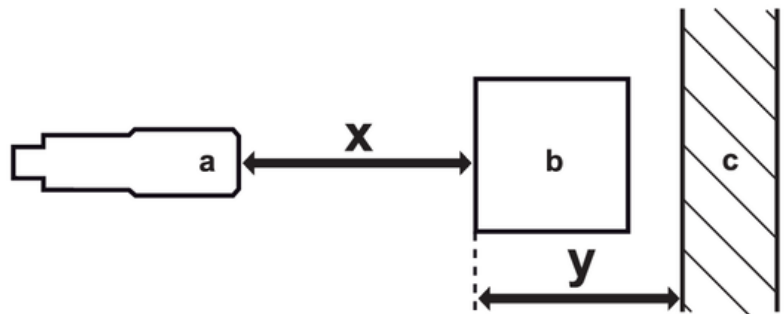


x: distance sensor/object [mm]

y: min. distance object/background [mm]

1 = background (black 6 % remission)

2 = background white (90 % remission)



a: sensor

b: object

c: background

x: distance sensor/object [mm]

y: min. distance object/background [mm]