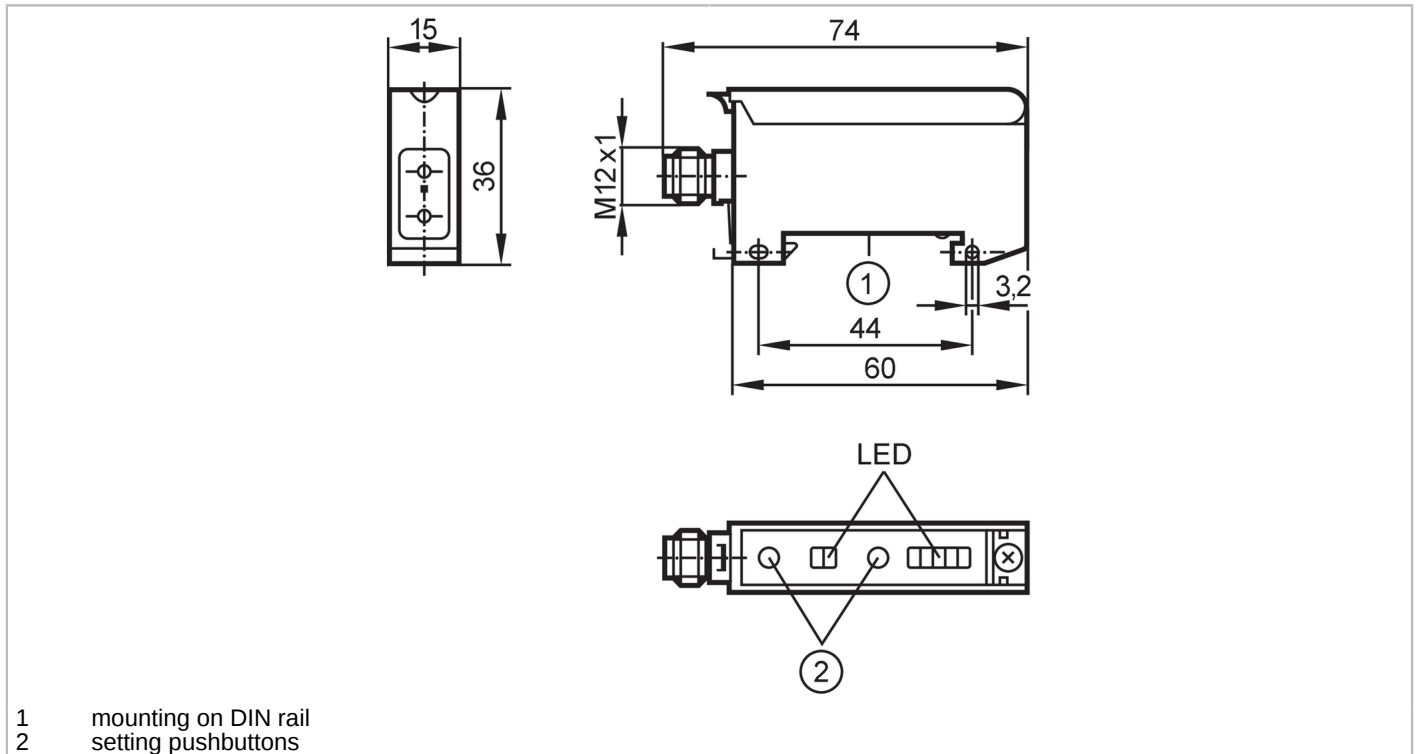


OBF504



Fibre-optic amplifier

OBF-FAKG/T/US



Product characteristics	
Type of light	red light
Housing	rectangular
Application	
Special feature	Function check output
Design	Fibre-optic amplifiers for glass fibre optics, for fibre optics with metal sheath, FE/FT-50
Application	High switching frequency for fast processes
Electrical data	
Operating voltage [V]	10...30 DC
Current consumption [mA]	< 50
Protection class	III
Reverse polarity protection	yes
Type of light	red light
Outputs	
Electrical design	PNP/NPN; (automatic load detection PNP/NPN)
Output function	light-on/dark-on mode; (programmable)
Max. voltage drop switching output DC [V]	2.5
Function check output	yes
Max. voltage drop of function check output [V]	2.5
Max. current load for function check output [mA]	10

OBF504



Fibre-optic amplifier

OBF-FAKG/T/US

Permanent current rating of switching output DC [mA]	100
Switching frequency DC [Hz]	1000
Short-circuit protection	yes
Type of short-circuit protection	pulsed
Overload protection	yes
Time function [s]	0.001...0.09

Detection zone

Range [m]	0...1; (Through-beam sensor)
Range [mm]	0...150; (Diffuse reflection sensor)
Range adjustable	yes

Operating conditions

Ambient temperature [°C]	-25...60
Protection	IP 65

Tests / approvals

EMC	EN 60947-5-2
MTTF [years]	806

Mechanical data

Weight [g]	46.9
Housing	rectangular
Type of mounting	mounting on DIN rail; (TH35 (EN 60715))
Dimensions [mm]	36 x 15 x 60
Number of channels	1
Materials	housing: PPE modified

Displays / operating elements

Display	switching status	1 x LED, yellow
	operation	1 x LED, green
	unsafe zone	1 x LED, red
	excess gain	4 x LED, green

Remarks

Remarks	light-on mode corresponds to the NC output function for through-beam fibre optics corresponds to the NO output function for diffuse-reflection fibre optics dark-on mode corresponds to the NO output function for through-beam fibre optics corresponds to the NC output function for diffuse-reflection fibre optics operating voltage "supply class 2" according to cULus
Pack quantity	1 pcs.

Electrical connection

Connector: 1 x M12; coding: A; Contacts: 4



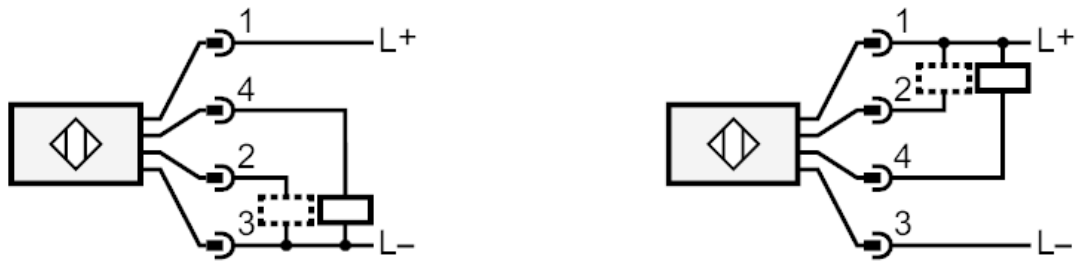
OBF504



Fibre-optic amplifier

OBF-FAKG/T/US

Connection



2

Function check output