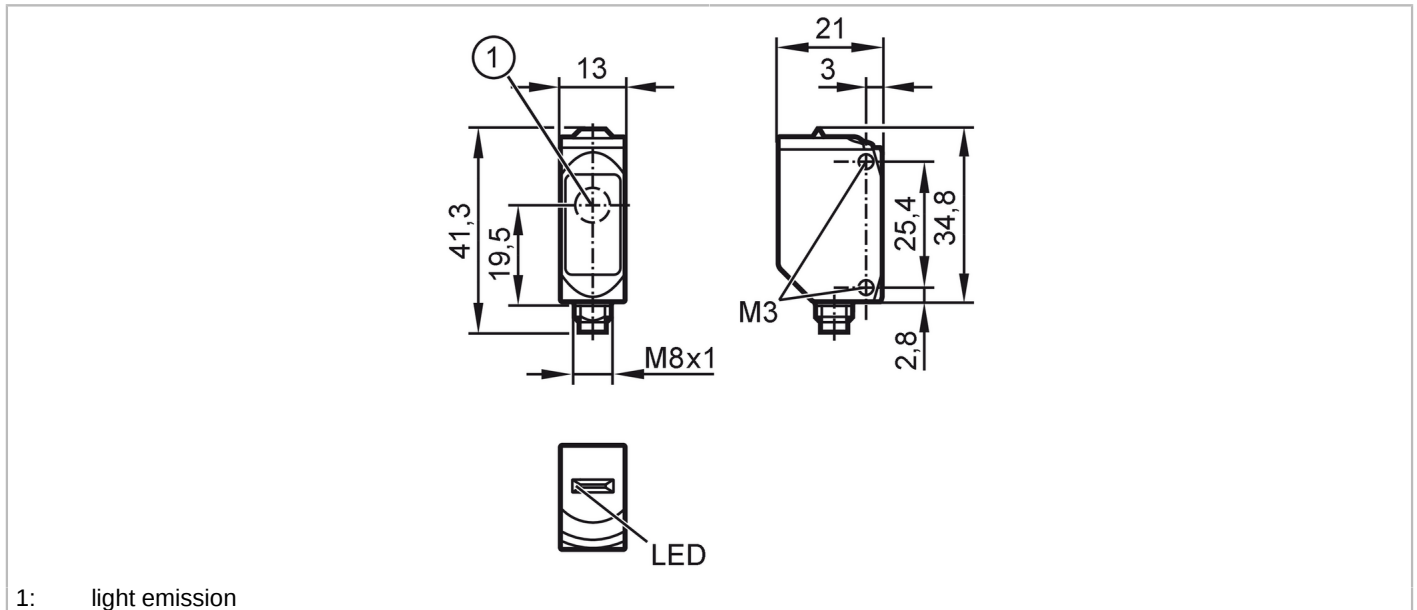


# O6S303



## Through-beam sensor transmitter

O6S-00KG/AS/4P



1: light emission



Product characteristics	
Type of light	red light
Housing	rectangular
Application	
Function principle	Through-beam sensor
Application	food and beverage industry
Electrical data	
Operating voltage [V]	10...30 DC
Current consumption [mA]	11; ((24 V))
Protection class	III
Type of light	red light
Wave length [nm]	633
Detection zone	
Transmitter / receiver	transmitter
Range [m]	< 10
Max. light spot diameter [mm]	300
Light spot dimensions refer to	at maximum range
Operating conditions	
Ambient temperature [°C]	-25...80
Protection	IP 65; IP 67; IP 68; IP 69K
Tests / approvals	
EMC	EN 60947-5-2
MTTF [years]	2600

# O6S303



## Through-beam sensor transmitter

O6S-OOKG/AS/4P

UL approval	Ta	-25...40 °C
	Enclosure type	Type 1
	power supply	Class 2
	UL approval no.	E002

Mechanical data	
Weight [g]	33.8
Housing	rectangular
Dimensions [mm]	34.8 x 13 x 21
Materials	housing: stainless steel (316L/1.4404); Sealing: EPDM; plastics: PPSU
Lens material	front pane:PMMA
Lens alignment	side lens
Tightening torque [Nm]	1; (screws)

Displays / operating elements	
Display	operation 1 x LED, green

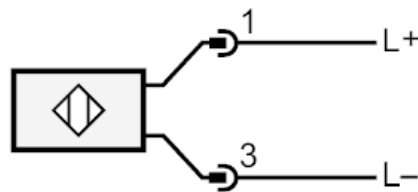
Remarks	
Remarks	operating voltage "supply class 2" according to cULus
Pack quantity	1 pcs.

### Electrical connection

Connector: 1 x M8; coding: A; Contacts: 4



### Connection



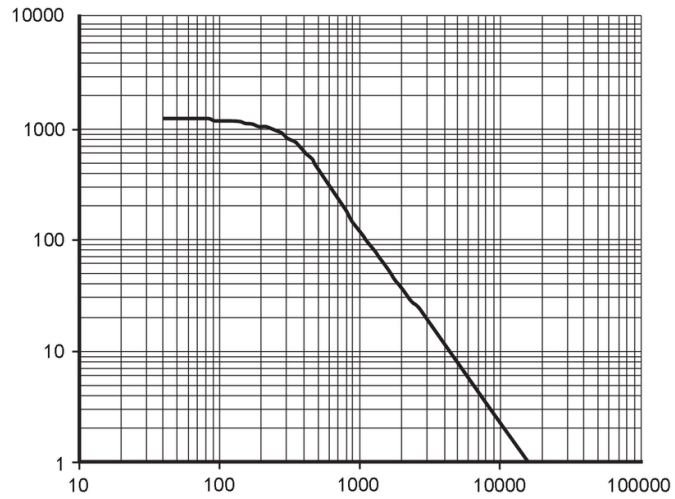


## Through-beam sensor transmitter

O6S-00KG/AS/4P

### Diagrams and graphs

excess gain graph



x: distance [mm]

y: excess gain factor