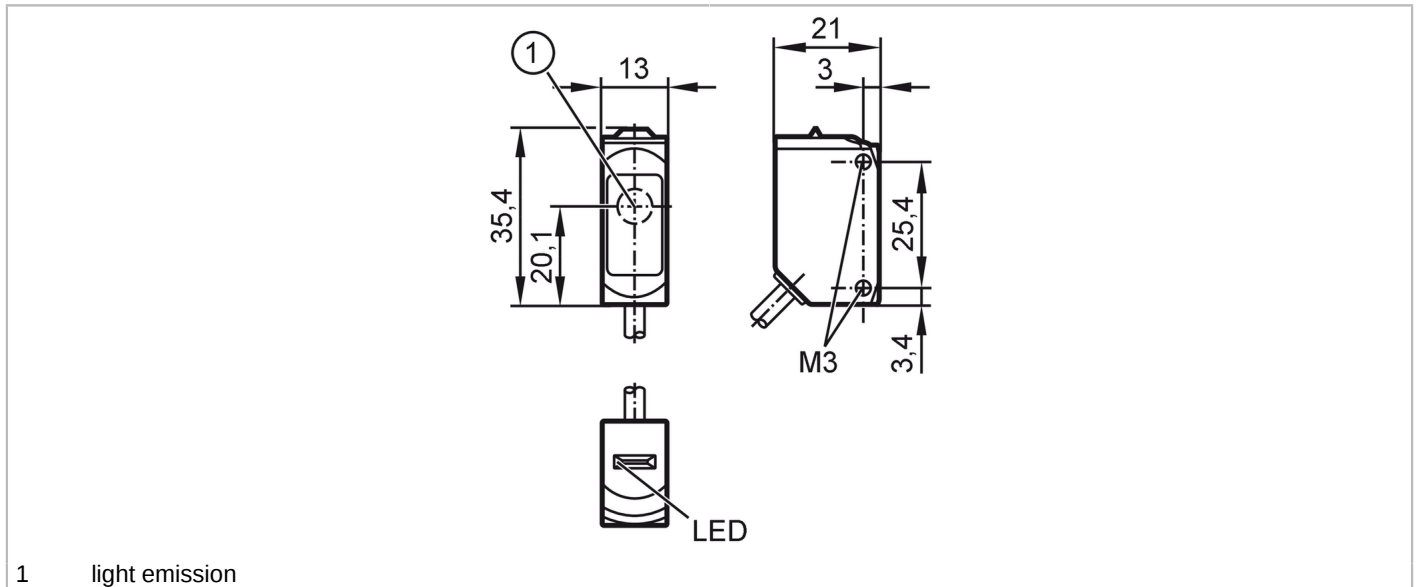


O6S200



Through-beam sensor transmitter

O6S-00KG



1 light emission



Product characteristics		
Type of light	red light	
Housing	rectangular	
Application		
Function principle	Through-beam sensor	
Application	Industrial applications / factory automation	
Electrical data		
Operating voltage [V]	10...30 DC	
Current consumption [mA]	11; ((24 V))	
Protection class	III	
Type of light	red light	
Wave length [nm]	633	
Detection zone		
Transmitter / receiver	transmitter	
Range [m]	< 10	
Max. light spot diameter [mm]	300	
Light spot dimensions refer to	at maximum range	
Operating conditions		
Ambient temperature [°C]	-25...60	
Protection	IP 65; IP 67	
Tests / approvals		
EMC	EN 60947-5-2	
MTTF [years]	2600	
UL approval	Ta	-25...60 °C
	Enclosure type	Type 1
	power supply	Class 2
	UL approval no.	E007

O6S200



Through-beam sensor transmitter

O6S-00KG

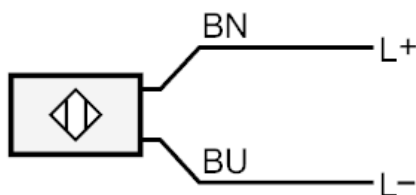
Mechanical data		
Weight	[g]	56
Housing		rectangular
Dimensions	[mm]	35.4 x 13 x 21
Materials		housing: ABS orange; upper part of the housing: PPSU black; Sealing: EPDM
Lens material		front pane:PMMA
Lens alignment		side lens
Tightening torque	[Nm]	0.5

Displays / operating elements		
Display	operation	1 x LED, green

Remarks		
Remarks		operating voltage "supply class 2" according to cULus
Pack quantity		1 pcs.

Electrical connection		
Cable: 2 m, PUR; 2 x 0.25 mm ²		

Connection



BN = Core colours : brown
BU = blue

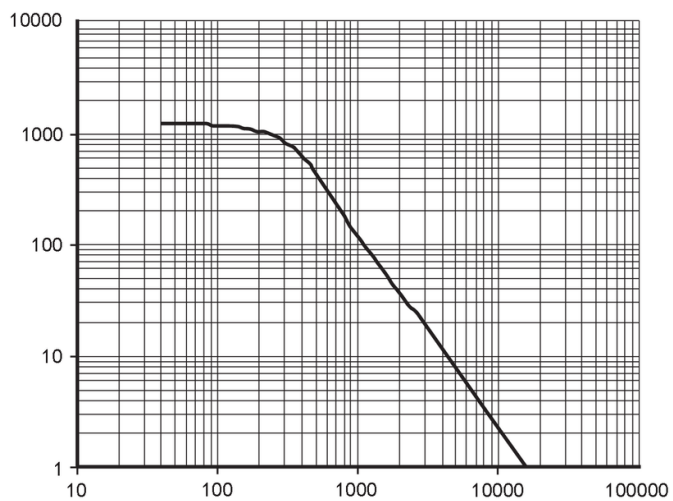


Through-beam sensor transmitter

O6S-00KG

Diagrams and graphs

excess gain graph



x: distance [mm]

y: excess gain factor