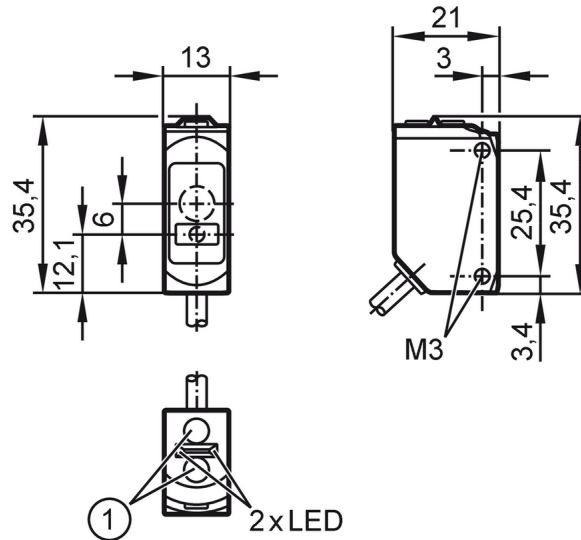


# O6P701



## Retro-reflective sensor

O6PLFPKG/0,30m/US



- 1 programming buttons  
receiver in upper lens , transmitter in lower lens



### Product characteristics

Type of light	red light
Laser protection class	1
Housing	rectangular

### Application

Function principle	Retro-reflective sensor
--------------------	-------------------------

### Electrical data

Operating voltage	[V]	10...30 DC
Current consumption	[mA]	15; (24 V)
Protection class		III
Reverse polarity protection		yes
Type of light		red light
Wave length	[nm]	650

### Outputs

Electrical design		PNP
Output function		light-on/dark-on mode; (selectable)
Max. voltage drop switching output DC	[V]	2.5
Permanent current rating of switching output DC	[mA]	100
Switching frequency DC	[Hz]	1000
Type of short-circuit protection		pulsed

### Detection zone

Range	[m]	0.075...8; (Prismatic reflector 50 x 50 mm E20722)
Max. light spot diameter	[mm]	17
Light spot dimensions refer to		at maximum range



## Retro-reflective sensor

O6PLFPKG/0,30m/US

Interfaces		
Communication interface	IO-Link	
Transmission type	COM2 (38,4 kBaud)	
IO-Link revision	1.1	
SDCI standard	IEC 61131-9	
Profiles	Smart Sensor - SSP 0	Generic Profiled Sensor
	Function	Device identification
	Function	Multiple switching signal
	Function	Device diagnosis
	Function	Teach channel
SIO mode	yes	
Required master port type	A	
Min. process cycle time [ms]	2.5	
IO-Link process data (cyclical)	<b>function</b>	<b>bit length</b>
	process value	8
	device status	4
	binary switching information	1
IO-Link functions (acyclical)	application specific tag; operating hours counter; switching cycles counter	
Supported DeviceIDs	<b>Type of operation</b>	<b>DeviceID</b>
	default	525
Operating conditions		
Ambient temperature [°C]	-10...60	
Protection	IP 65; IP 67	
Tests / approvals		
EMC	EN 60947-5-2	
Laser protection class	1	
Notes on laser protection	Caution:	laser light
	laser class:	1
		EN / IEC60825-1:2007
		EN / IEC60825-1:2014
		Complies with 21 CFR 1040.10 except for conformance with IEC 60825-1 Ed. 3, as described in Laser Notice No. 56, dated May 8, 2019.
MTTF [years]	636	
UL approval	Ta	-25...50 °C
	Enclosure type	Type 1
	power supply	Class 2
Mechanical data		
Weight [g]	34.5	
Housing	rectangular	
Dimensions [mm]	35.4 x 13 x 21	
Materials	housing: ABS orange; upper part of the housing: PPSU black; Sealing: EPDM	
Lens material	front pane:PMMA	
Lens alignment	side lens	
Tightening torque [Nm]	0.5; (screws)	

# O6P701



## Retro-reflective sensor

O6PLFPKG/0,30m/US

### Displays / operating elements

Display	switching status	1 x LED, yellow
	operation	1 x LED, green

### Remarks

Remarks	operating voltage "supply class 2" according to cULus
Pack quantity	1 pcs.

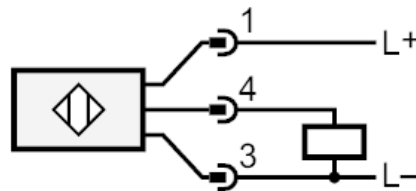
### Electrical connection

Cable: 0.3 m, PUR, black,  $\varnothing$  3.7 mm; 3 x 0.25 mm<sup>2</sup>

Connector: 1 x M12; coding: A

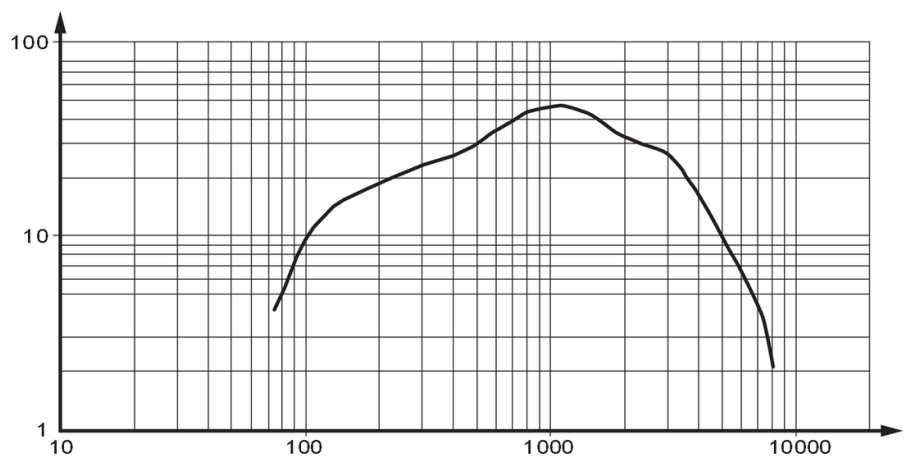


### Connection



4 OUT / IO-Link

### Diagrams and graphs



x: Abstand [mm]  
y: Funktionsreservfaktor