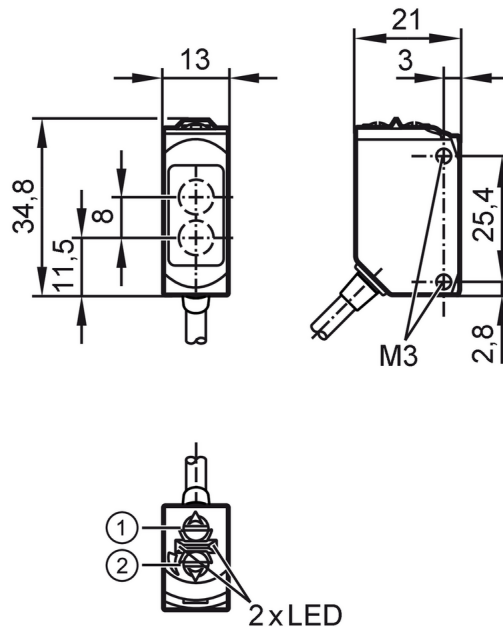


# O6H301



## Diffuse reflection sensor with background suppression

O6H-FPKG/0,30m/US



- 1 output function switch
- 1 potentiometer sensitivity receiver in upper lens
- transmitter in lower lens



### Product characteristics

Type of light	red light
Housing	rectangular

### Application

Special feature	Background suppression
Function principle	Diffuse reflection sensor

### Electrical data

Operating voltage	[V]	10...30 DC
Current consumption	[mA]	22; ((24 V))
Protection class		III
Reverse polarity protection		yes
Type of light		red light
Wave length	[nm]	633

### Outputs

Electrical design		PNP
Output function		light-on/dark-on mode; (selectable)
Max. voltage drop switching output DC	[V]	2.5
Permanent current rating of switching output DC	[mA]	100
Switching frequency DC	[Hz]	1000
Short-circuit protection		yes
Type of short-circuit protection		pulsed

# O6H301



## Diffuse reflection sensor with background suppression

O6H-FPKG/0,30m/US

Detection zone	
Range [mm]	2...200; (white paper 200 x 200 mm)
Range on white object (90 % remission) [mm]	2...200
Range on grey object (18 % remission) [mm]	4...200
Range on black object (6 % remission) [mm]	8...200
Range adjustable	yes
Max. light spot diameter [mm]	8
Light spot dimensions refer to	at maximum range
Background suppression available	yes


Operating conditions	
Ambient temperature [°C]	-25...80
Protection	IP 65; IP 67; IP 68; IP 69K

Tests / approvals		
EMC	EN 60947-5-2	
MTTF [years]	708	
UL approval	Ta	-25...40 °C
	Enclosure type	Type 1
	power supply	Class 2
	UL approval no.	E006

Mechanical data	
Weight [g]	51.4
Housing	rectangular
Dimensions [mm]	34.8 x 13 x 21
Materials	housing: stainless steel (316L/1.4404); Sealing: EPDM; plastics: PPSU
Lens material	front pane:PMMA
Lens alignment	side lens
Tightening torque [Nm]	1; (screws)

Displays / operating elements		
Display	switching status	1 x LED, yellow
	operation	1 x LED, green

Remarks	
Remarks	operating voltage "supply class 2" according to cULus
Pack quantity	1 pcs.

Electrical connection	
Cable: 0.3 m, PVC; 3 x 0.25 mm <sup>2</sup>	
Connector: 1 x M12; coding: A; Contacts: 4	
	

## Diffuse reflection sensor with background suppression

O6H-FPKG/0,30m/US

### Connection



### Diagrams and graphs



- a: sensor
- b: object
- c: background
- x: distance sensor/object [mm]
- y: min. distance object/background [mm]

# O6H301



## Diffuse reflection sensor with background suppression

O6H-FPKG/0,30m/US

accuracy graph



x: distance sensor/object [mm]

y: min. distance object/background [mm]

1 = object black (6 % remission) , background white (90 % remission)

2 = object grey (18 % remission) , background white (90 % remission)

3 = object white (90 % remission) , background white (90 % remission)