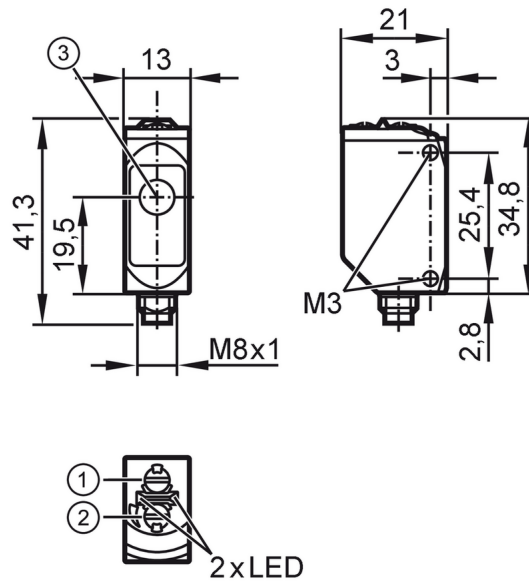




Through-beam sensor receiver

O6E-FPKG/ASJ4P



- 1: output function switch
- 2: potentiometer sensitivity
- 3: Light incidence



Product characteristics

Type of light	red light
Housing	rectangular

Application

Function principle	Through-beam sensor
--------------------	---------------------

Electrical data

Operating voltage	[V]	10...30 DC
Current consumption	[mA]	7; ((24 V))
Protection class		III
Reverse polarity protection		yes
Type of light		red light
Wave length	[nm]	633

Outputs

Electrical design		PNP
Output function		light-on/dark-on mode; (selectable)
Max. voltage drop switching output DC	[V]	2.5
Permanent current rating of switching output DC	[mA]	100
Switching frequency DC	[Hz]	1000
Short-circuit protection		yes
Type of short-circuit protection		pulsed

Detection zone

Transmitter / receiver		receiver
Range	[m]	< 10

O6E309



Through-beam sensor receiver

O6E-FPKG/AS/4P

Range adjustable	yes	
Interfaces		
Communication interface	IO-Link	
Transmission type	COM2 (38,4 kBaud)	
IO-Link revision	1.1	
SDCI standard	IEC 61131-9	
Profiles	Smart Sensor - SSP 0	Generic Profiled Sensor
	Function	Device identification
	Function	Multiple switching signal
SIO mode	yes	
Required master port type	A	
Min. process cycle time [ms]	2.5	
IO-Link process data (cyclical)	function	bit length
	process value	8
	binary switching information	1
IO-Link functions (acyclical)	application specific tag; operating hours counter; switching cycles counter	
Supported DeviceIDs	Type of operation	DeviceID
	default	421
Operating conditions		
Ambient temperature [°C]	-25...80	
Protection	IP 65; IP 67; IP 68; IP 69K	
Tests / approvals		
EMC	EN 60947-5-2	
MTTF [years]	716	
UL approval	Ta	-25...40 °C
	Enclosure type	Type 1
	power supply	Class 2
	UL approval no.	E010
Mechanical data		
Weight [g]	34.1	
Housing	rectangular	
Dimensions [mm]	34.8 x 13 x 21	
Materials	housing: stainless steel (316L/1.4404); Sealing: EPDM; plastics: PPSU	
Lens material	front pane:PMMA	
Lens alignment	side lens	
Tightening torque [Nm]	1; (screws)	
Displays / operating elements		
Display	switching status	1 x LED, yellow
	operation	1 x LED, green
Remarks		
Remarks	operating voltage "supply class 2" according to cULus	
Pack quantity	1 pcs.	

O6E309



Through-beam sensor receiver

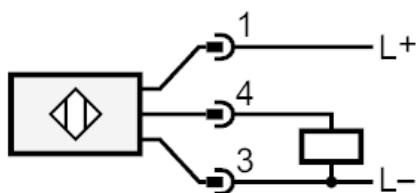
O6E-FPKG/AS/4P

Electrical connection

Connector: 1 x M8; coding: A



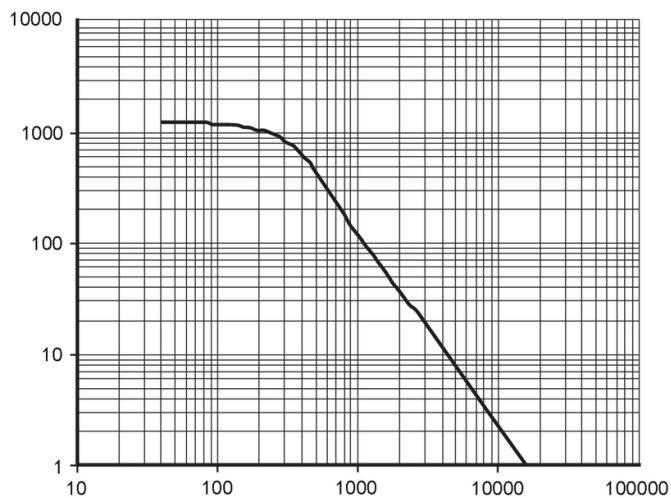
Connection



4 OUT / IO-Link

Diagrams and graphs

excess gain graph



x: distance [mm]

y: excess gain factor