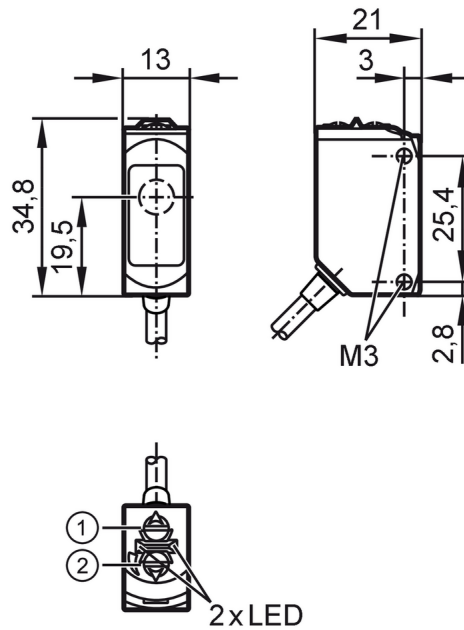


O6E301



Through-beam sensor receiver

O6E-FPKG/0,30m/US



- 1 output function switch
- 1 potentiometer sensitivity



Product characteristics

| | |
|---------------|-------------|
| Type of light | red light |
| Housing | rectangular |

Application

| | |
|--------------------|----------------------------|
| Function principle | Through-beam sensor |
| Application | food and beverage industry |

Electrical data

| | | |
|-----------------------------|------|-------------|
| Operating voltage | [V] | 10...30 DC |
| Current consumption | [mA] | 7; ((24 V)) |
| Protection class | | III |
| Reverse polarity protection | | yes |
| Type of light | | red light |
| Wave length | [nm] | 633 |

Outputs


| | | |
|---|------|-------------------------------------|
| Electrical design | | PNP |
| Output function | | light-on/dark-on mode; (selectable) |
| Max. voltage drop switching output DC | [V] | 2.5 |
| Permanent current rating of switching output DC | [mA] | 100 |
| Switching frequency DC | [Hz] | 1000 |
| Short-circuit protection | | yes |
| Type of short-circuit protection | | pulsed |

O6E301



Through-beam sensor receiver

O6E-FPKG/0,30m/US

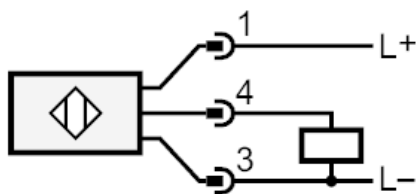
| Detection zone | | |
|---|------------------|---|
| Transmitter / receiver | | receiver |
| Range [m] | | < 10 |
| Range adjustable | | yes |
| Operating conditions | | |
| Ambient temperature [°C] | | -25...80 |
| Protection | | IP 65; IP 67; IP 68; IP 69K |
| Tests / approvals | | |
| EMC | EN 60947-5-2 | |
| MTTF [years] | | 1014 |
| UL approval | Ta | -25...40 °C |
| | Enclosure type | Type 1 |
| | voltage supply | Class 2 |
| | UL approval no. | E006 |
| Mechanical data | | |
| Weight [g] | | 50.9 |
| Housing | | rectangular |
| Dimensions [mm] | | 34.8 x 13 x 21 |
| Materials | | housing: stainless steel (316L/1.4404); Sealing: EPDM; plastics: PPSU |
| Lens material | | front pane:PMMA |
| Lens alignment | | side lens |
| Tightening torque [Nm] | | 1; (screws) |
| Displays / operating elements | | |
| Display | switching status | 1 x LED, yellow |
| | operation | 1 x LED, green |
| Remarks | | |
| Remarks | | operating voltage "supply class 2" according to cULus |
| Pack quantity | | 1 pcs. |
| Electrical connection | | |
| Cable: 0.3 m, PVC; 3 x 0.25 mm ² | | |
| Connector: 1 x M12; coding: A; Contacts: 4 | | |
|  | | |



Through-beam sensor receiver

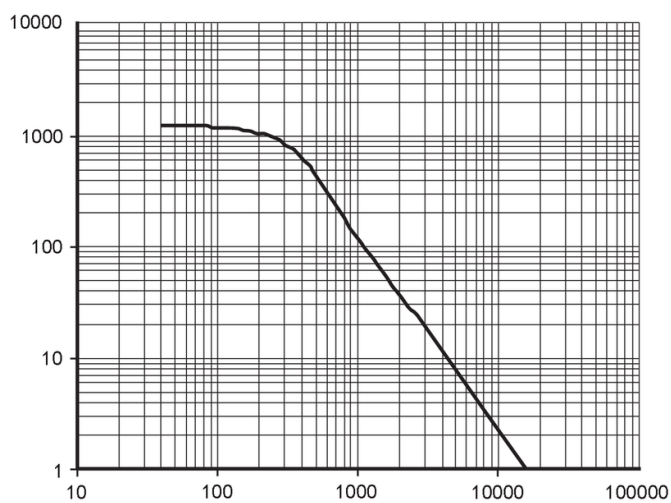
O6E-FPKG/0,30m/US

Connection



Diagrams and graphs

excess gain graph



x: distance [mm]

y: excess gain factor