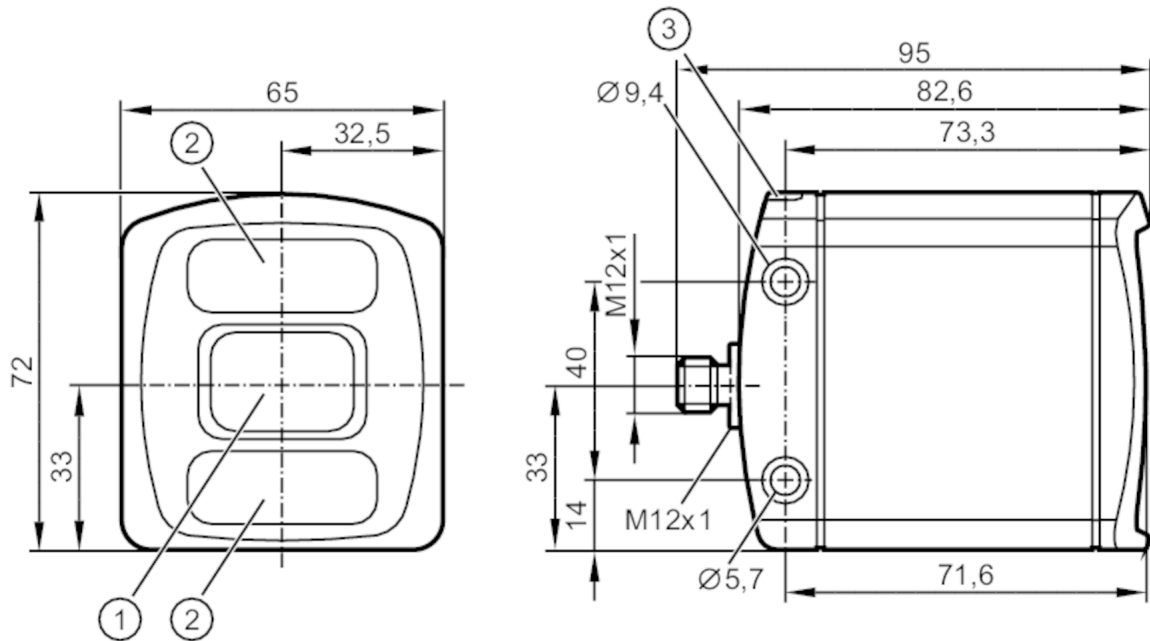


# O3D303



## 3D camera

O3DIRDKG/E1/GM/S/60



- 1 lens
- 2 illumination unit
- 3 LED 2-colour yellow/green



### Product characteristics

Image resolution 3D	[px]	352 x 264
Angle of aperture 3D	[°]	60 x 45; (nominal value without lens distortion correction)
Max. reading rate	[Hz]	25

### Application

Application	output of 3D image data
-------------	-------------------------

### Electrical data

Operating voltage	[V]	20.4...28.8 DC; (EN 61131-2)
Current consumption	[mA]	< 2400; (peak current pulsed; typical value: 420; maximum value: 1600)
Power consumption	[W]	10; (typical value)
Protection class		III
Image sensor		PMD 3D ToF-Chip
Internal lighting		yes; (infrared: 850 nm invisible radiation LED)

### Inputs / outputs

Number of inputs and outputs	Number of digital outputs: 2
------------------------------	------------------------------

### Inputs

Trigger	24 V PNP/NPN (IEC 61131-2 Typ 3)
---------	----------------------------------

### Outputs

Total number of outputs	2
Number of digital outputs	2; (configurable)

# O3D303



## 3D camera

O3DIRDKG/E1/GM/S/60

Output function	24 V PNP/NPN; (EN 61131-2)	
Max. current load per output [mA]	100	
Short-circuit protection	yes	
Type of short-circuit protection	pulsed	
Overload protection	yes	
<b>Detection zone</b>		
Operating distance [mm]	300...8000	
Note on operating distance	object size: 200 x 200 mm reflectivity: 18 %	
Image resolution 3D [px]	352 x 264	
Angle of aperture 3D [°]	60 x 45; (nominal value without lens distortion correction)	
Max. reading rate [Hz]	25	
<b>Measuring/setting range</b>		
Measuring range [m]	< 30	
<b>Software / programming</b>		
Parameter setting options	via PC with ifm Vision Assistant or XML-RPC	
<b>Interfaces</b>		
Communication interface	Ethernet	
Ethernet		
Number of Ethernet interfaces	1	
Transmission standard	10Base-T; 100Base-TX	
Transmission rate	10; 100	
Protocol	TCP/IP	
Factory settings	IP address: 192.168.0.69 subnet mask: 255.255.255.0 gateway IP address: 192.168.0.201	
<b>Operating conditions</b>		
Ambient temperature [°C]	-10...50	
Storage temperature [°C]	-40...85	
Protection	IP 65; IP 67	
Max. immunity to extraneous light [klx]	8; (with reduced measuring accuracy and repeatability: < 100)	
<b>Tests / approvals</b>		
EMC	DIN EN 61000-6-4	radiation of interference / industrial environments
	DIN EN 61000-6-2	immunity / industrial environments
Shock resistance	DIN EN 60068-2-27	50 g / (11 ms) not repetitive
	DIN EN 60068-2-27	40 g / (6 ms) repetitive
Vibration resistance	DIN EN 60068-2-6	2 g / (10...150 Hz)
	DIN EN 60068-2-64	2.3 g RMS / (10...500 Hz)
Photobiological safety	exempt group; (DIN EN 62471)	
Electrical protection	DIN EN 61010-2-201	electrical supply only via PELV circuits
MTTF [years]	45.02	

# O3D303



## 3D camera

O3DIRDKG/E1/GM/S/60

Mechanical data		
Weight	[g]	766.95
Dimensions	[mm]	72 x 65 x 82.6
Materials	housing: diecast aluminium; front pane: Gorilla Glass; function display: PA	
Displays / operating elements		
Display	function	2 x LED, green Ethernet operation
	switching status	2 x LED, yellow OUT 1 OUT 2
Accessories		
Items supplied	Protective covers	
Remarks		
Pack quantity	1 pcs.	

### Electrical connection - Ethernet

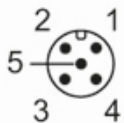
Connector: 1 x M12; coding: D



1	TD +
2	RD +
3	TD -
4	RD -

### Electrical connection - Process connection

Connector: 1 x M12; coding: A



1	U+
2	trigger input
3	GND
4	switching output 1 Ready
5	switching output 2 cascading

# O3D303



## 3D camera

O3DIRDKG/E1/GM/S/60

### Other data

#### Field of view size

measuring range / distance [m]	without lens distortion correction		with lens distortion correction	
	Length [m]	Width [m]	Length [m]	Width [m]
0.50	0.40	0.56	0.37	0.50
1.00	0.80	1.13	0.75	1.00
2.00	1.60	2.26	1.50	2.00
3.00	2.40	3.39	2.25	3.00
4.00	3.20	4.52	3.00	4.00
5.00	4.00	5.65	3.75	5.00