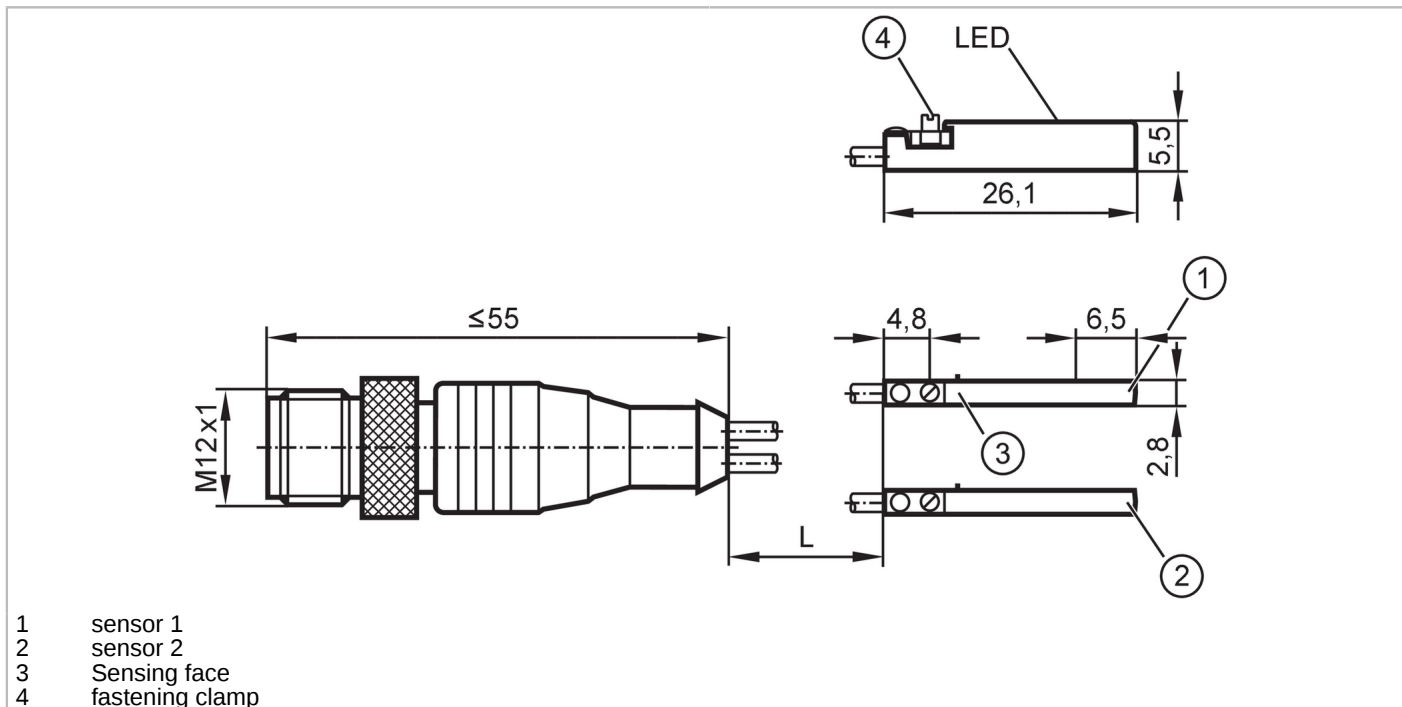


# MK5351



## C-slot cylinder sensor

MKC3020BBPKG/A/0,3/ZH/US/2X



Product characteristics		
Electrical design		PNP
Output function		2 x normally open
Dimensions	[mm]	26.1 x 2.8 x 5.5
Electrical data		
Operating voltage	[V]	10...30 DC
Current consumption	[mA]	< 10
Protection class		III
Reverse polarity protection		yes
Max. power-on delay time	[ms]	30
Outputs		
Electrical design		PNP
Output function		2 x normally open
Max. voltage drop switching output DC	[V]	2.5
Permanent current rating of switching output DC	[mA]	100
Switching frequency DC	[Hz]	5000
Short-circuit protection		yes
Overload protection		yes
Detection zone		
Response sensitivity	[mT]	2
Travel speed	[m/s]	> 10
Accuracy / deviations		
Hysteresis	[mm]	1

# MK5351



## C-slot cylinder sensor

MKC3020BBPKG/A/0,3/ZH/US/2X

Repeatability	[mm]	< 0.2
---------------	------	-------

### Operating conditions

Ambient temperature	[°C]	-25...85
Protection		IP 65; IP 67

### Tests / approvals

EMC	EN 61000-4-2 ESD	- CD / 8 kV AD
	EN 61000-4-3 HF radiated	10 V/m
	EN 61000-4-4 Burst	2 kV
	EN 61000-4-6 HF conducted	10 V
	EN 55011	class B

### Mechanical data

Weight	[g]	21.7
Mounting		flush mountable
Cylinder type		C-slot cylinders
Dimensions	[mm]	26.1 x 2.8 x 5.5
Materials		housing: PA; fastening clamp: stainless steel
Tightening torque	[Nm]	< 0.24

### Displays / operating elements

Display	switching status	1 x LED, yellow
---------	------------------	-----------------

### Remarks

Pack quantity		1 pcs.
---------------	--	--------

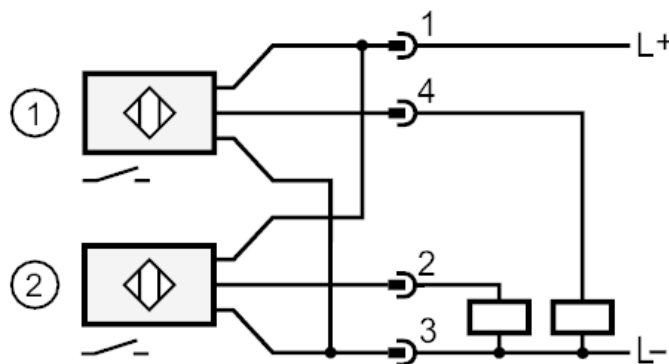
### Electrical connection - plug

Cable: 0.3 m, PUR

Connector: 1 x M12; coding: A; Locking: knurled nut, rotatable



### Connection



- 1: sensor 1
- 2: sensor 2