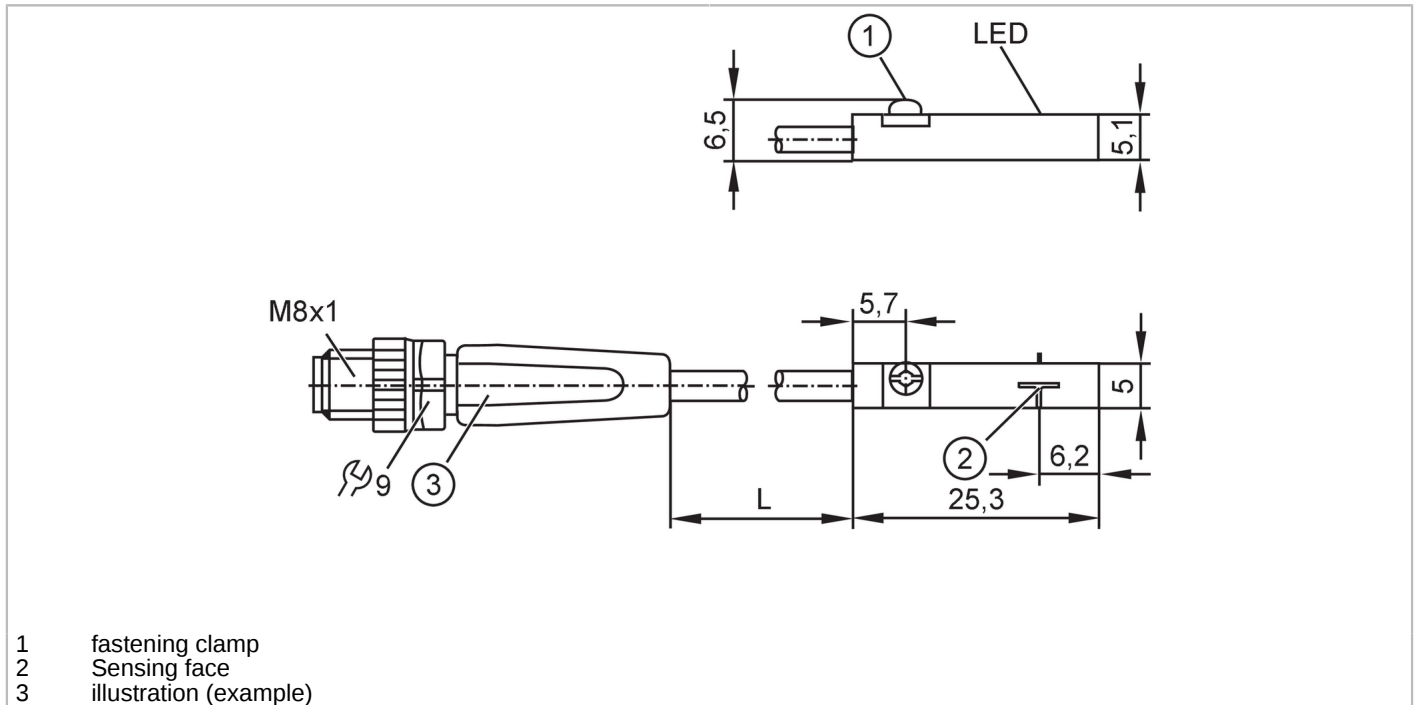


MK5215



T-slot cylinder sensor

MKT3028BBPKG/G/WFI/0,3M/ZH/ASR




Product characteristics	
Electrical design	PNP
Output function	normally open
Dimensions [mm]	25.3 x 5 x 6.5
Application	
Special feature	Magnetic-field immune
Operating principle	suppression of extraneous fields
Application	welding applications
Magnetic-field immune	yes
Max. magnetic field immunity [mT]	200
Electrical data	
Operating voltage [V]	10...30 DC
Current consumption [mA]	< 10
Protection class	III
Reverse polarity protection	yes
Max. power-on delay time [ms]	300
Outputs	
Electrical design	PNP
Output function	normally open
Max. voltage drop switching output DC [V]	2.5
Permanent current rating of switching output DC [mA]	100
Switching frequency DC [Hz]	9
Short-circuit protection	yes

MK5215



T-slot cylinder sensor

MKT3028BBPKG/G/WFI/0,3M/ZH/ASR

Overload protection		yes
Detection zone		
Response sensitivity	[mT]	2.8
Travel speed	[m/s]	< 0.25
Accuracy / deviations		
Hysteresis	[mm]	< 1.5
Repeatability	[mm]	< 0.2
Operating conditions		
Ambient temperature	[°C]	-25...85
Protection		IP 65; IP 67
Tests / approvals		
EMC	EN 61000-4-2 ESD	- CD / 8 kV AD
	EN 61000-4-3 HF radiated	10 V/m
	EN 61000-4-4 Burst	2 kV
	EN 61000-4-6 HF conducted	10 V
	EN 55011	class B
Vibration resistance	EN 60068-2-6 Fc	(10...55 Hz) / 1 mm amplitude, oscillation period 5 min., 30 min. per axis at resonance or 55 Hz
Shock resistance	EN 60068-2-27 Ea	30 g 6 shocks / 11 ms half-sine (x, y, z)
UL approval	UL approval no.	C003
Mechanical data		
Weight	[g]	17
Mounting		flush mountable
Type of mounting		fastening clamp with combined slot / hexagon socket, width across flats 1.5
Cylinder type		T-slot cylinders
Dimensions	[mm]	25.3 x 5 x 6.5
Materials		housing: PA; fastening clamp: stainless steel; knurled nut: PTFE coated; protective tube: PTFE coated
Displays / operating elements		
Display	switching status	1 x LED, yellow
Accessories		
Items supplied		rubber placeholder: 1 Cable clip: 1
Remarks		
Remarks		operating voltage "supply class 2" according to cULus
Pack quantity		1 pcs.
Electrical connection - plug		
Cable: 0.3 m, PUR; protective tube		
Connector: 1 x M8; coding: A; Locking: knurled nut, rotatable		
		

MK5215



T-slot cylinder sensor

MKT3028BBPKG/G/WFI/0,3M/ZH/ASR

Connection

