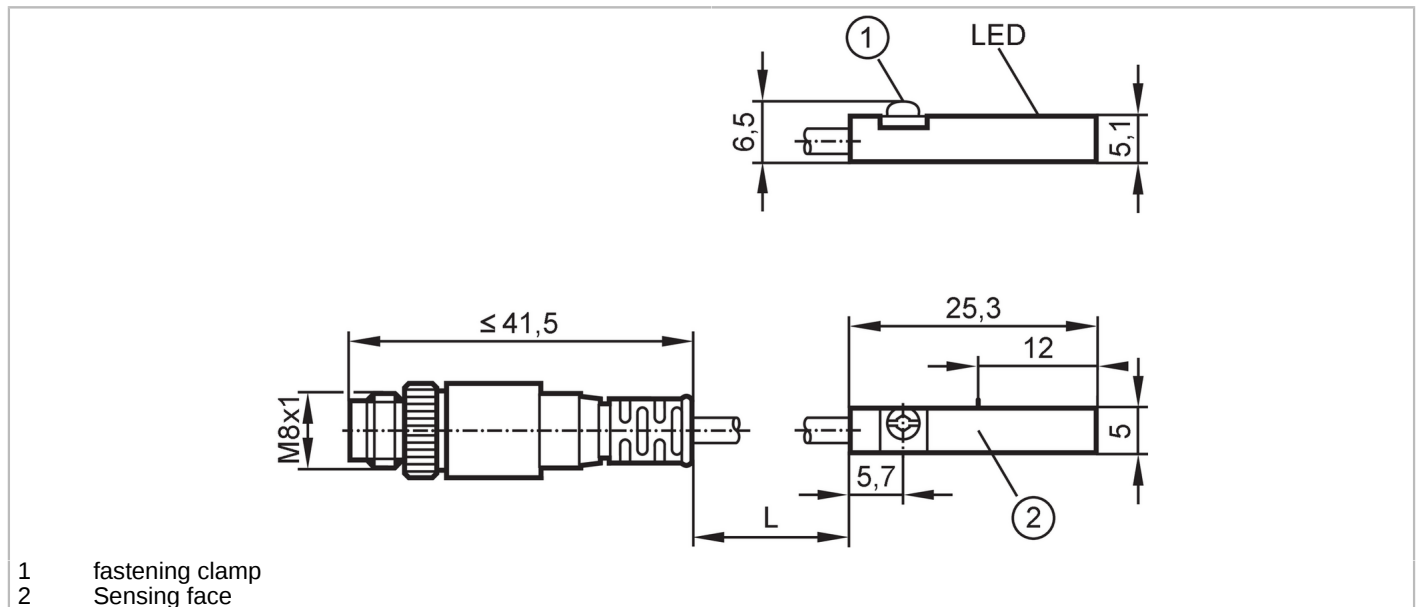


# MK5159



## T-slot cylinder sensor

MKT3020BBPKG/A/0,3M/ZH/ASR



Product characteristics		
Electrical design		PNP
Output function		normally open
Dimensions	[mm]	25.3 x 5 x 6.5
Electrical data		
Operating voltage	[V]	10...30 DC; ("supply class 2" to cULus)
Current consumption	[mA]	< 10
Protection class		III
Reverse polarity protection		yes
Max. power-on delay time	[ms]	30
Outputs		
Electrical design		PNP
Output function		normally open
Max. voltage drop switching output DC	[V]	2.5
Permanent current rating of switching output DC	[mA]	100
Switching frequency DC	[Hz]	6000
Short-circuit protection		yes
Overload protection		yes
Detection zone		
Response sensitivity	[mT]	2
Travel speed	[m/s]	> 10
Accuracy / deviations		
Hysteresis	[mm]	1
Repeatability	[mm]	< 0.2

# MK5159



## T-slot cylinder sensor

MKT3020BBPKG/A/0,3M/ZH/ASR

### Operating conditions

Ambient temperature	[°C]	-25...85
Protection		IP 65; IP 67

### Tests / approvals

EMC	EN 61000-4-2 ESD	- CD / 8 kV AD
	EN 61000-4-3 HF radiated	10 V/m
	EN 61000-4-4 Burst	2 kV
	EN 61000-4-6 HF conducted	10 V
	EN 55011	class B
MTTF	[years]	2064
UL approval	UL approval no.	C003

### Mechanical data

Weight	[g]	14.3
Mounting		flush mountable
Type of mounting		fastening clamp with combined slot / hexagon socket, width across flats 1.5
Cylinder type		T-slot cylinders
Dimensions	[mm]	25.3 x 5 x 6.5
Materials		housing: PA; fastening clamp: stainless steel

### Displays / operating elements

Display	switching status	1 x LED, yellow
---------	------------------	-----------------

### Accessories

Items supplied		rubber placeholder: 1 Cable clip: 1
----------------	--	--

### Remarks

Pack quantity		1 pcs.
---------------	--	--------

### Electrical connection - plug

Cable: 0.3 m, PUR

Connector: 1 x M8; coding: A; Contacts: 3; Locking: knurled nut, rotatable



### Connection

