

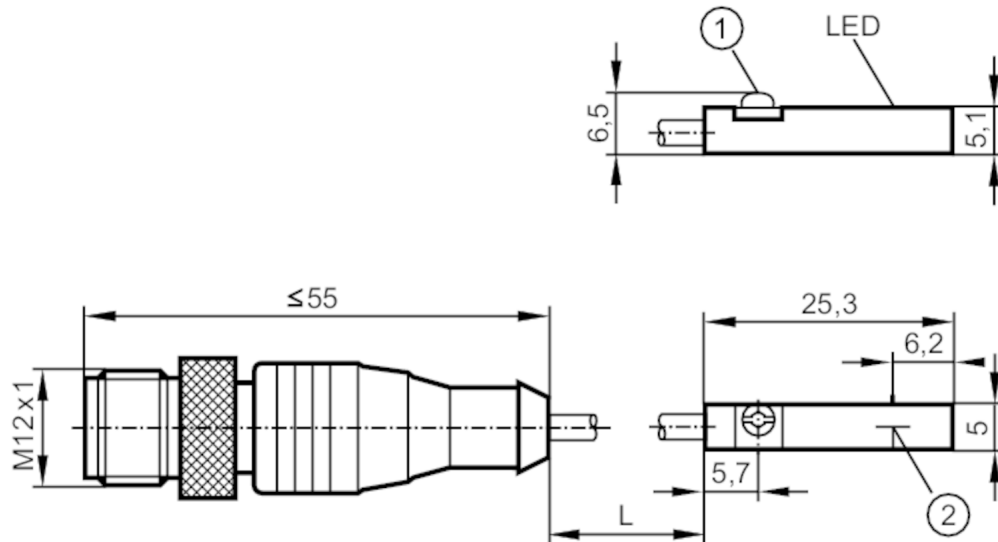
MK5143



T-slot cylinder sensor

MKT3028BBPKG/G/0,3M/UH/US

Article no longer available - archive entry



- 1 fastening clamp
2 Sensing face



Product characteristics

Electrical design	PNP
Output function	normally open
Dimensions [mm]	25 x 5 x 6.5

Electrical data

Operating voltage [V]	10...30 DC
Current consumption [mA]	< 10
Protection class	III
Reverse polarity protection	yes
Max. power-on delay time [ms]	30

Outputs

Electrical design	PNP
Output function	normally open
Max. voltage drop switching output DC [V]	2.5
Permanent current rating of switching output DC [mA]	100
Switching frequency DC [Hz]	10000
Short-circuit protection	yes
Overload protection	yes

Detection zone

Response sensitivity [mT]	2.8
Travel speed [m/s]	> 10

MK5143



T-slot cylinder sensor

MKT3028BBPKG/G/0,3M/UH/US

Accuracy / deviations

Hysteresis	[mm]	< 1.5
Repeatability	[mm]	< 0.2

Operating conditions

Ambient temperature	[°C]	-25...85
Protection		IP 65; IP 67

Tests / approvals

EMC	EN 61000-4-2 ESD	- CD / 8 kV AD
	EN 61000-4-3 HF radiated	10 V/m
	EN 61000-4-4 Burst	2 kV
	EN 61000-4-6 HF conducted	10 V
	EN 55011	class B

Mechanical data

Mounting	flush mountable
Type of mounting	fastening clamp with combined slot / hexagon socket, width across flats 1.5
Cylinder type	T-slot cylinders
Dimensions	[mm] 25 x 5 x 6.5
Materials	housing: PA; fastening clamp: stainless steel

Displays / operating elements

Display	switching status	1 x LED, yellow
---------	------------------	-----------------

Accessories

Items supplied	rubber placeholder: 1 Cable clip: 1
----------------	--

Remarks

Pack quantity	1 pcs.
---------------	--------

Electrical connection - plug

Cable: 0.3 m, PUR; cross-linked

Connector: 1 x M12; Locking: knurled nut, rotatable



MK5143

T-slot cylinder sensor

MKT3028BBPKG/G/0,3M/UH/US



Connection

