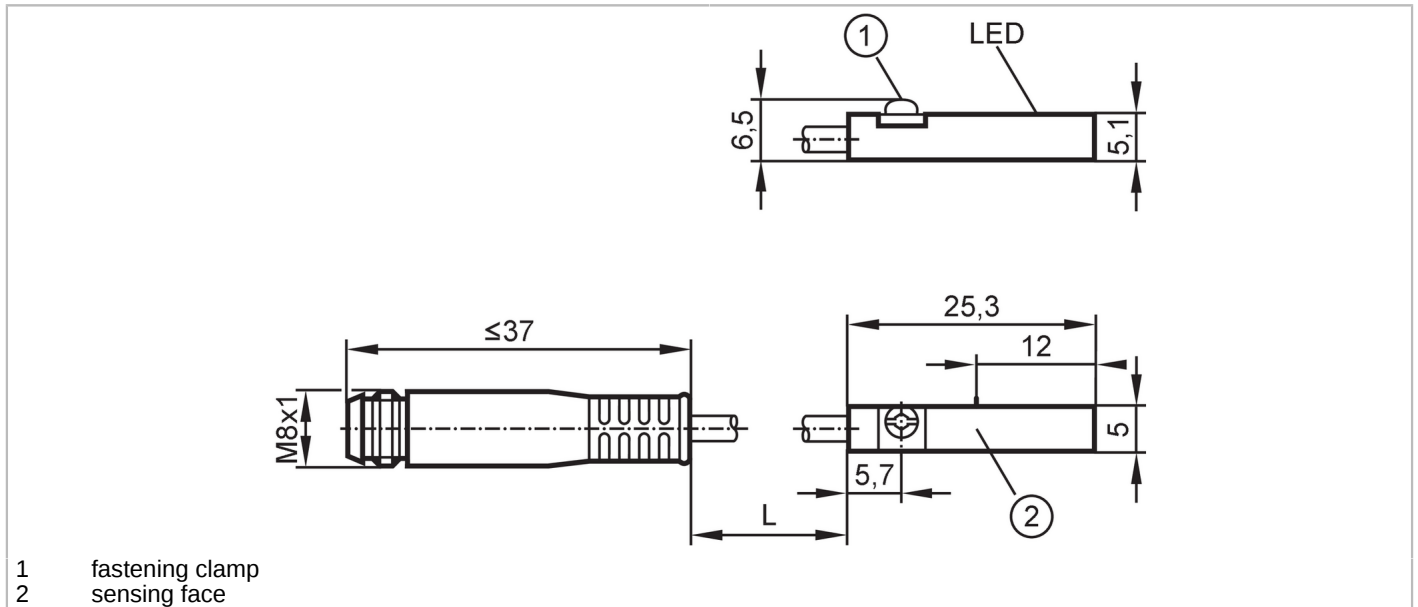


# MK5138



## T-slot cylinder sensor

MKT3020BBPKG/A/0,3M/ZH/AS



| Product characteristics                         |       |   |
|---|-------|---|
| Electrical design                               |       | PNP                                     |
| Output function                                 |       | normally open                           |
| Dimensions                                      | [mm]  | 25 x 5 x 6.5                            |
| Electrical data                                 |       |   |
| Operating voltage                               | [V]   | 10...30 DC; ("supply class 2" to cULus) |
| Current consumption                             | [mA]  | < 10                                    |
| Protection class                                |       | III                                     |
| Reverse polarity protection                     |       | yes                                     |
| Max. power-on delay time                        | [ms]  | 30                                      |
| Outputs   |       |   |
| Electrical design                               |       | PNP                                     |
| Output function                                 |       | normally open                           |
| Max. voltage drop switching output DC           | [V]   | 2.5                                     |
| Permanent current rating of switching output DC | [mA]  | 100                                     |
| Switching frequency DC                          | [Hz]  | 6000                                    |
| Short-circuit protection                        |       | yes                                     |
| Overload protection                             |       | yes                                     |
| Detection zone                                  |       |   |
| Response sensitivity                            | [mT]  | 2                                       |
| Travel speed                                    | [m/s] | > 10                                    |
| Accuracy / deviations                           |       |   |
| Hysteresis                                      | [mm]  | < 1                                     |
| Repeatability                                   | [mm]  | < 0.2                                   |

# MK5138



## T-slot cylinder sensor

MKT3020BBPKG/A/0,3M/ZH/AS

### Operating conditions

|                     |      |              |
|---------------------|------|--------------|
| Ambient temperature | [°C] | -25...85     |
| Protection          |      | IP 65; IP 67 |

### Tests / approvals

|             |                           |                |
|-------------|---------------------------|----------------|
| EMC         | EN 61000-4-2 ESD          | - CD / 8 kV AD |
|             | EN 61000-4-3 HF radiated  | 10 V/m         |
|             | EN 61000-4-4 Burst        | 2 kV           |
|             | EN 61000-4-6 HF conducted | 10 V           |
|             | EN 55011                  | class B        |
| MTTF        | [years]                   | 2064           |
| UL approval | UL approval no.           | C003           |

### Mechanical data

|                  |      |   |
|------------------|------|---|
| Weight           | [g]  | 12.1  |
| Mounting         |      | flush mountable   |
| Type of mounting |      | fastening clamp with combined slot / hexagon socket, width across flats 1.5 |
| Cylinder type    |      | T-slot cylinders  |
| Dimensions       | [mm] | 25 x 5 x 6.5  |
| Materials        |      | housing: PA; fastening clamp: stainless steel                               |

### Displays / operating elements

|         |                  |                 |
|---------|------------------|-----------------|
| Display | switching status | 1 x LED, yellow |
|---------|------------------|-----------------|

### Accessories

|                |  |  |
|----------------|--|--|
| Items supplied |  | rubber placeholder: 1<br>Cable clip: 1 |
|----------------|--|--|

### Remarks

|               |  |        |
|---------------|--|--------|
| Pack quantity |  | 1 pcs. |
|---------------|--|--------|

### Electrical connection - plug

Cable: 0.3 m, PUR

Connector: 1 x M8; coding: A; Contacts: 3; Locking: snap-fit



### Connection

