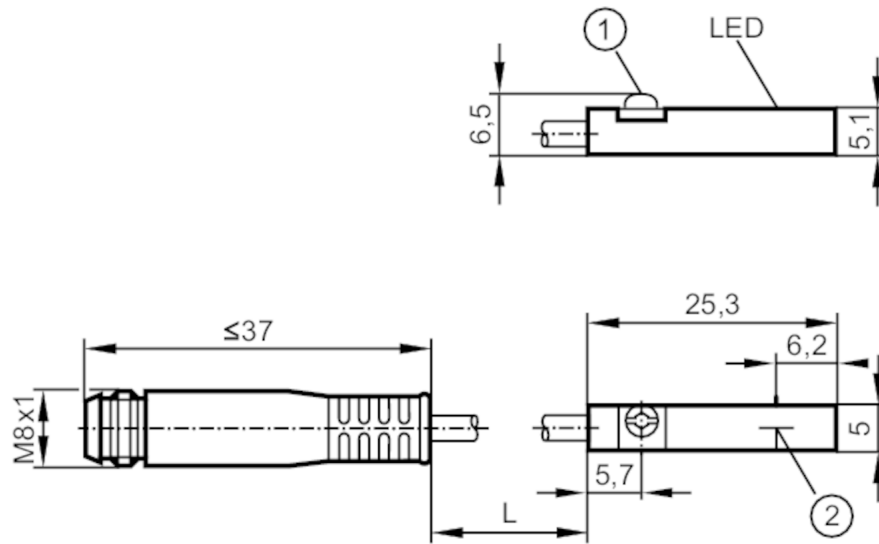


MK5101



T-slot cylinder sensor

MKT3028BBPKG/G/0,3M/ZH/AS



- 1 fastening clamp
2 Sensing face



Product characteristics

Electrical design	PNP
Output function	normally open
Dimensions [mm]	25 x 5 x 6.5

Electrical data

Operating voltage [V]	10...30 DC; ("supply class 2" to cULus)
Current consumption [mA]	< 10
Protection class	III
Reverse polarity protection	yes
Max. power-on delay time [ms]	30

Outputs

Electrical design	PNP
Output function	normally open
Max. voltage drop switching output DC [V]	2.5
Permanent current rating of switching output DC [mA]	100
Switching frequency DC [Hz]	10000
Short-circuit protection	yes
Overload protection	yes

Detection zone

Response sensitivity [mT]	2.8
Travel speed [m/s]	> 10

Accuracy / deviations

Hysteresis [mm]	< 1.5
-----------------	-------

MK5101



T-slot cylinder sensor

MKT3028BBPKG/G/0,3M/ZH/AS

Repeatability	[mm]	< 0.2
---------------	------	-------

Operating conditions

Ambient temperature	[°C]	-25...85
---------------------	------	----------

Protection		IP 65; IP 67
------------	--	--------------

Tests / approvals

EMC	EN 61000-4-2 ESD	- CD / 8 kV AD
	EN 61000-4-3 HF radiated	10 V/m
	EN 61000-4-4 Burst	2 kV
	EN 61000-4-6 HF conducted	10 V
	EN 55011	class B

MTTF	[years]	3694
------	---------	------

UL approval	UL approval no.	C003
-------------	-----------------	------

Mechanical data

Weight	[g]	12.1
--------	-----	------

Mounting		flush mountable
----------	--	-----------------

Type of mounting		fastening clamp with combined slot / hexagon socket, width across flats 1.5
------------------	--	---

Cylinder type		T-slot cylinders
---------------	--	------------------

Dimensions	[mm]	25 x 5 x 6.5
------------	------	--------------

Materials		housing: PA; fastening clamp: stainless steel
-----------	--	---

Displays / operating elements

Display	switching status	1 x LED, yellow
---------	------------------	-----------------

Accessories

Items supplied		rubber placeholder: 1
		Cable clip: 1

Remarks

Pack quantity		1 pcs.
---------------	--	--------

Electrical connection - plug

Cable: 0.3 m, PUR

Connector: 1 x M8; coding: A; Locking: snap-fit



MK5101

T-slot cylinder sensor

MKT3028BBPKG/G/0,3M/ZH/AS



Connection

