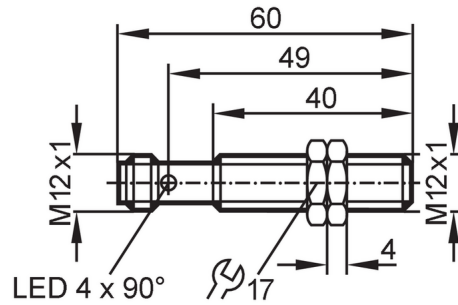


# MFT202



## Full-metal magnetic sensor

MFK3060-BPKG/AM/V4A/G/US



Product characteristics	
Electrical design	PNP
Output function	normally open
Sensing range [mm]	60; (referred to magnet M 4.0)
Housing	threaded type
Dimensions [mm]	M12 x 1 / L = 60
Application	
Special feature	Gold-plated contacts; Full-metal housing
Pressure rating	100 bar / 10 MPa
Electrical data	
Operating voltage [V]	10...30 DC
Current consumption [mA]	< 10
Protection class	III
Reverse polarity protection	yes
Outputs	
Electrical design	PNP
Output function	normally open
Max. voltage drop switching output DC [V]	2.5
Permanent current rating of switching output DC [mA]	100
Switching frequency DC [Hz]	5000
Short-circuit protection	yes
Overload protection	yes
Detection zone	
Sensing range [mm]	60; (referred to magnet M 4.0)
Response sensitivity [mT]	1.3
Accuracy / deviations	
Hysteresis [% of Sr]	1...10
Operating conditions	
Ambient temperature [°C]	0...100
Protection	IP 65; IP 68; IP 69K

# MFT202



## Full-metal magnetic sensor

MFK3060-BPKG/AM/V4A/G/US

Tests / approvals		
EMC	EN 61000-4-2 ESD	4 kV CD / 8 kV AD
	EN 61000-4-3 HF radiated	10 V/m
	EN 61000-4-4 Burst	2 kV
	EN 61000-4-5 Surge	0,5 kV line to line, Ri: 2 Ohm
	EN 61000-4-6 HF conducted	10 V
	EN 55011	class B
	DIN ISO 11452-2	100 V/m
MTTF	[years]	1401

Mechanical data		
Weight	[g]	28.1
Housing		threaded type
Dimensions	[mm]	M12 x 1 / L = 60
Thread designation		M12 x 1
Materials		housing: stainless steel (316L/1.4404); sensing face: stainless steel (316L/1.4404); lock nuts: stainless steel
Full-metal housing		yes

Displays / operating elements		
Display	switching status	1 x LED, yellow

Accessories		
Items supplied		lock nuts: 2

Remarks		
Pack quantity		1 pcs.

### Electrical connection - plug

Connector: 1 x M12; coding: A; Contacts: gold-plated



### Connection

