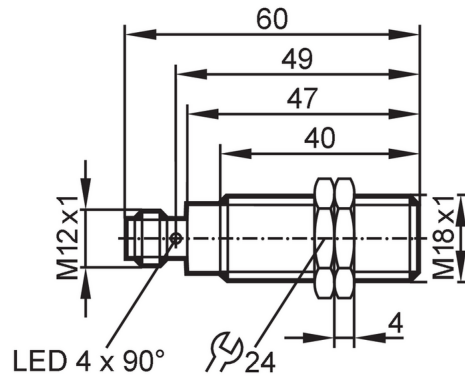


MGT203



Full-metal magnetic sensor

MGK3070-BPKG/AM/V4A/G/US



Product characteristics

Electrical design		PNP
Output function		normally open
Sensing range	[mm]	70; (referred to magnet M 4.0)
Housing		threaded type
Dimensions	[mm]	M18 x 1 / L = 60

Application

Special feature	Gold-plated contacts; Full-metal housing	
Pressure rating	100 bar	10 MPa

Electrical data

Operating voltage	[V]	10...30 DC
Current consumption	[mA]	< 10
Protection class		III
Reverse polarity protection		yes

Outputs

Electrical design		PNP
Output function		normally open
Max. voltage drop switching output DC	[V]	2.5
Permanent current rating of switching output DC	[mA]	100
Switching frequency DC	[Hz]	5000
Short-circuit protection		yes
Overload protection		yes

Detection zone

Sensing range	[mm]	70; (referred to magnet M 4.0)
Response sensitivity	[mT]	0.9

Accuracy / deviations

Hysteresis	[% of Sr]	1...10
------------	-----------	--------

Operating conditions

Ambient temperature	[°C]	0...100
Protection		IP 65; IP 68; IP 69K

MGT203



Full-metal magnetic sensor

MGK3070-BPKG/AM/V4A/G/US

Tests / approvals		
EMC	EN 61000-4-2 ESD	4 kV CD / 8 kV AD
	EN 61000-4-3 HF radiated	10 V/m
	EN 61000-4-4 Burst	2 kV
	EN 61000-4-5 Surge	0,5 kV line to line, Ri: 2 Ohm
	EN 61000-4-6 HF conducted	10 V
	EN 55011	class B
	DIN ISO 11452-2	100 V/m
MTTF	[years]	1400

Mechanical data		
Weight	[g]	49.3
Housing		threaded type
Dimensions	[mm]	M18 x 1 / L = 60
Thread designation		M18 x 1
Materials		housing: stainless steel (316L/1.4404); sensing face: stainless steel (316L/1.4404); LED window: PEI; lock nuts: stainless steel
Full-metal housing		yes

Displays / operating elements		
Display	switching status	4 x 90° LED, yellow

Accessories		
Items supplied		lock nuts: 2

Remarks		
Pack quantity		1 pcs.

Electrical connection - plug

Connector: 1 x M12; coding: A; Contacts: gold-plated



Connection

