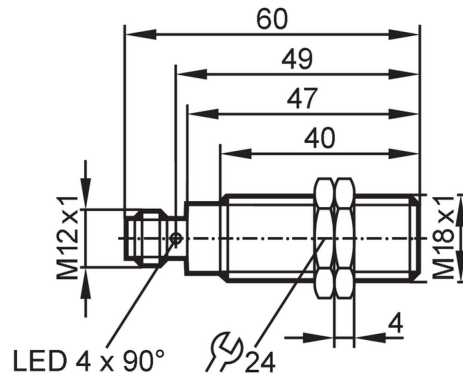


MGT201



Magnetic sensor

MGK3100-BPKG/MV4A/US-104-DPS



Product characteristics		
Electrical design		PNP
Output function		normally open
Sensing range	[mm]	100; (referred to magnet M 4.0)
Housing		threaded type
Dimensions	[mm]	M18 x 1 / L = 60
Application		
Special feature		Gold-plated contacts
Application		pig detection
Electrical data		
Operating voltage	[V]	10...30 DC
Current consumption	[mA]	< 10
Protection class		III
Reverse polarity protection		yes
Outputs		
Electrical design		PNP
Output function		normally open
Max. voltage drop switching output DC	[V]	2.5
Permanent current rating of switching output DC	[mA]	200
Short-circuit protection		yes
Overload protection		yes
Detection zone		
Sensing range	[mm]	100; (referred to magnet M 4.0)
Response sensitivity	[mT]	0.3
Accuracy / deviations		
Hysteresis	[% of Sr]	1...10
Response times		
Pulse stretching	[ms]	1000

MGT201



Magnetic sensor

MGK3100-BPKG/MV4A/US-104-DPS

Operating conditions		
Ambient temperature	[°C]	0...104
Protection		IP 68; IP 69K
Tests / approvals		
EMC	EN 61000-4-2 ESD	4 kV CD / 8 kV AD
	EN 61000-4-3 HF radiated	10 V/m
	EN 61000-4-4 Burst	2 kV
	EN 61000-4-5 Surge	0,5 kV line to line, Ri: 2 Ohm
	EN 61000-4-6 HF conducted	10 V
	EN 55011	class B
MTTF	[years]	1445
Mechanical data		
Weight	[g]	47.3
Housing		threaded type
Dimensions	[mm]	M18 x 1 / L = 60
Thread designation		M18 x 1
Materials		housing: stainless steel (316L/1.4404); sensing face: PEEK; lock nuts: stainless steel
Displays / operating elements		
Display	switching status	1 x LED, yellow
Accessories		
Items supplied		lock nuts: 2
Remarks		
Remarks		voltage supply to EN50178, SELV, PELV
Pack quantity		1 pcs.

Electrical connection - plug

Connector: 1 x M12; coding: A; Contacts: gold-plated



Connection

