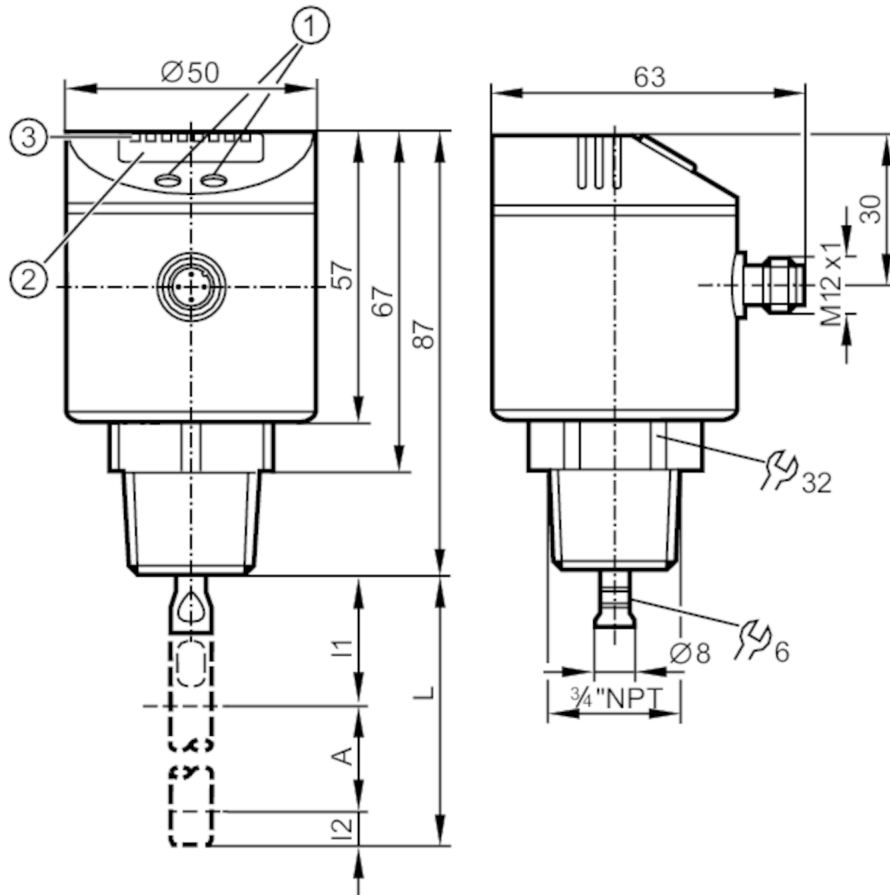


# LR3300



## Continuous level sensor (guided wave radar)

LR0000B-BN34AMPKG/US



- 1 alphanumeric display 4-digit
- 2 LEDs Display unit / switching status
- 3 programming buttons
- A active range
- I1 / I2 inactive ranges



### Product characteristics

Number of inputs and outputs	Number of digital outputs: 1; Number of analogue outputs: 1
Probe length L [mm]	100...1600
Process connection	3/4" NPT

### Application

Special feature	Gold-plated contacts
Media	hydrous coolants; water; media similar to water
Dielectric constant of the medium	$\geq 20$
Recommended media	hydrous coolants; water; media similar to water
Conditionally suitable for	acids; alkali
Cannot be used for	oils; greases; granulates; bulk material; acids; alkali; heavily foaming media
Medium temperature [°C]	0...80; (90 < 1 h)
Tank pressure	-1...16 bar      -0.1...1.6 MPa



## Continuous level sensor (guided wave radar)

LR0000B-BN34AMPKG/US

MAWP for applications according to CRN	[bar]	25
<b>Electrical data</b>		
Operating voltage	[V]	18...30 DC
Current consumption	[mA]	< 80
Protection class		III
Reverse polarity protection		yes
Power-on delay time	[s]	< 3
Measuring principle		guided wave radar
<b>Inputs / outputs</b>		
Number of inputs and outputs		Number of digital outputs: 1; Number of analogue outputs: 1
<b>Outputs</b>		
Total number of outputs		2
Output signal		switching signal; analogue signal; IO-Link
Electrical design		PNP
Number of digital outputs		1
Output function		normally open / normally closed; (parameterisable)
Max. voltage drop switching output DC	[V]	2.5
Permanent current rating of switching output DC	[mA]	200
Number of analogue outputs		1
Analogue current output	[mA]	4...20
Max. load	[Ω]	500
Analogue voltage output	[V]	0...10
Min. load resistance	[Ω]	2000
Short-circuit protection		yes
Type of short-circuit protection		thermal, pulsed
Overload protection		yes
<b>Measuring/setting range</b>		
Probe length L	[mm]	100...1600
Active range A	[mm]	L-40
Inactive range I1 / I2	[mm]	30 / 10
<b>Setting range</b>		
Set point SP	[mm]	15...L-30
Reset point rP	[mm]	10... L-35
In steps of	[mm]	5
Hysteresis	[mm]	> 5
<b>Accuracy / deviations</b>		
Repeatability	[mm]	± 5
Switch point accuracy	[mm]	± (15 + 0,5 % ); (% of the final value of the measuring range: L - 30 mm)
Offset error	[mm]	10
Resolution	[mm]	0,5 (L < 300 mm) 0,2% MEW (L > 300 mm)

# LR3300



## Continuous level sensor (guided wave radar)

LR0000B-BN34AMPKG/US

Zero signal (voltage)	[V]	0...0.02
Zero signal (current)	[mA]	3.95...4.0
Full signal (voltage)	[V]	10.0...10.1
Full signal (current)	[mA]	20...20.2
Characteristics deviation		± 10

### Interfaces

Communication interface	IO-Link	
Transmission type	COM2 (38,4 kBaud)	
IO-Link revision	1.1	
SDCI standard	IEC 61131-9 CDV	
SIO mode	yes	
Required master port type	A	
Process data analogue	1	
Process data binary	1	
Min. process cycle time	[ms]	2.3
Supported DeviceIDs	<b>Type of operation</b>	<b>DeviceID</b>
	default	345

### Operating conditions

Ambient temperature	[°C]	0...60
Storage temperature	[°C]	-25...80
Protection		IP 67

### Tests / approvals

EMC	IEC 60947-1	
Shock resistance	DIN IEC 68-2-27	50 g (11 ms)
Vibration resistance	DIN IEC 68-2-6	5 g (10...2000 Hz)
MTTF	[years]	196

### Mechanical data

Weight	[g]	346.5
Materials	stainless steel (304/1.4301); FKM; PBT; PC; PEI; TPE-V; PTFE	
Materials (wetted parts)	stainless steel (303/1.4305); probe connection: stainless steel (316L/1.4435); PTFE; FKM	
Process connection	3/4" NPT	

### Displays / operating elements

Display	Display unit	3 x LED, green
	switching status	1 x LED, yellow
	level	alphanumeric display, 4-digit
	parameter setting	alphanumeric display, 4-digit

### Accessories

Accessories (optional)	Probe:, E43203...E43205 / E43207...E43210
------------------------	---

### Remarks

Pack quantity	1 pcs.
---------------	--------

# LR3300



## Continuous level sensor (guided wave radar)

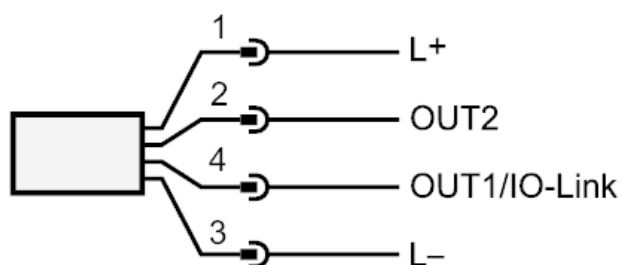
LR0000B-BN34AMPKG/US

### Electrical connection

Connector: 1 x M12; coding: A; Contacts: gold-plated



### Connection



OUT1: switching output  
OUT2: analogue output

### Diagrams and graphs

Measurement deviation D at the limits of the active rod range

