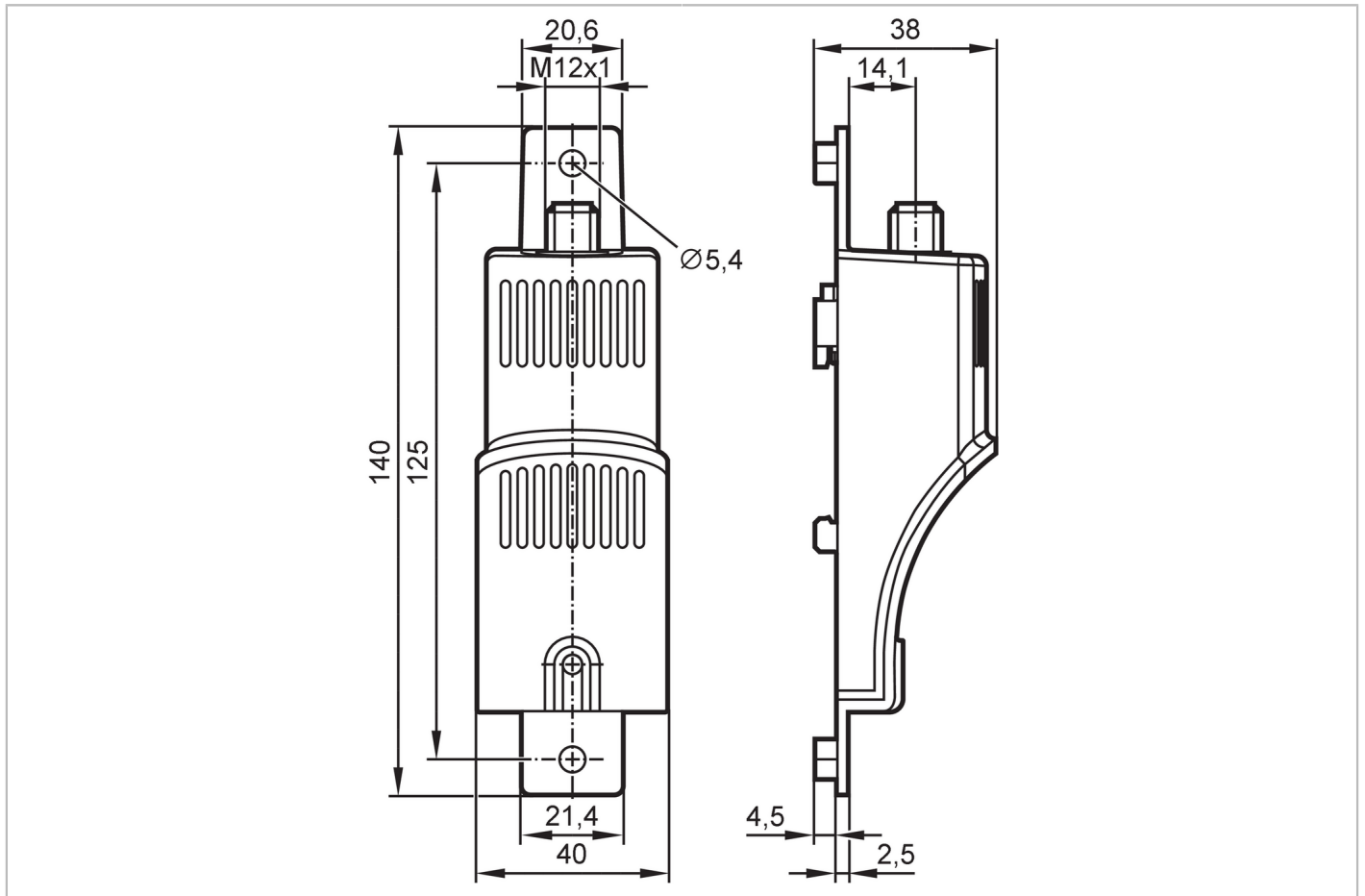


# LDH292



## Air humidity sensor

AIR HUMIDITY SENSOR IO-LINK



Product characteristics	
Number of inputs and outputs	Number of digital outputs: 1
Application	
Special feature	Gold-plated contacts
Electrical data	
Operating voltage [V]	18...30 DC
Current consumption [mA]	13
Protection class	III
Reverse polarity protection	yes
Power-on delay time [s]	< 1
Measuring principle	capacitive
Inputs / outputs	
Number of inputs and outputs	Number of digital outputs: 1
Outputs	
Total number of outputs	1
Output signal	IO-Link
Number of digital outputs	1

# LDH292



## Air humidity sensor

AIR HUMIDITY SENSOR IO-LINK

Measuring/setting range		
Measuring range	[% RH]	0...100
Temperature measurement		
Measuring range	[°C]	-40...80
Accuracy / deviations		
Accuracy	[% RH]	3; (in the range 20...80 % RH)
Resolution	[% RH]	0,1
Temperature measurement		
Accuracy	[K]	± 0,3
Resolution	[K]	0.1
Response times		
Response time	[s]	< 30; (T90)
Temperature measurement		
Response time	[s]	< 300; (T90)
Interfaces		
Communication interface	IO-Link	
Transmission type	COM2 (38,4 kBaud)	
IO-Link revision	1.1	
Profiles	Common - I&D	Identification and Diagnosis
	Function	Measurement data, standard resolution
SIO mode	no	
Required master port type	A	
Min. process cycle time	[ms]	4.5
Supported DeviceIDs	<b>Type of operation</b>	<b>DeviceID</b>
	default	1337
Operating conditions		
Ambient temperature	[°C]	-40...80
Note on ambient temperature	application humidity: ≤ 90 % RH non condensing	
Storage temperature	[°C]	-40...85
Note on storage temperature	storage humidity: ≤ 90 % RH non condensing	
Protection	IP 20; (only sensor: IP 57)	
Tests / approvals		
EMC	DIN EN 61000-6-2	
	DIN EN 61000-6-4	
MTTF	[years]	195
UL approval	File number UL	E224228
Mechanical data		
Weight	[g]	70
Type of mounting	mounting on DIN rail and panel; (TH35 (EN 60715) / M5)	
Dimensions	[mm]	140 x 40 x 38
Materials	plastics UL94 V-0; light grey	
Installation position	vertical; connector facing upwards	

# LDH292



## Air humidity sensor

AIR HUMIDITY SENSOR IO-LINK

### Remarks

Pack quantity

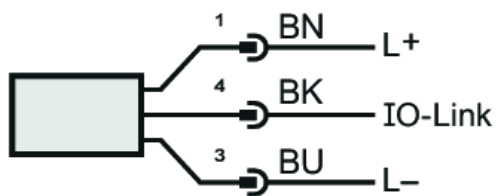
1 pcs.

### Electrical connection

Connector: 1 x M12 (EN 61067-2-101); coding: A; Contacts: gold-plated



### Connection



colours to DIN EN 60947-5-2

Core colours :

BK = black  
BN = brown  
BU = blue