

# KT5150



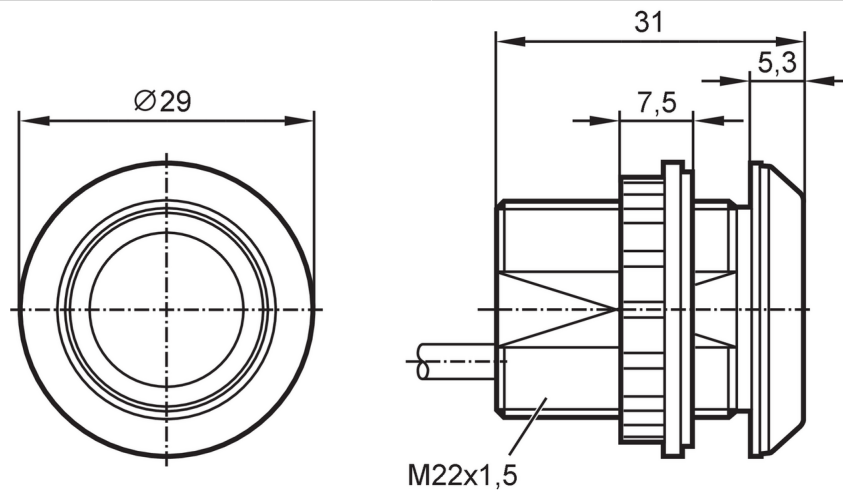
## Illuminated capacitive touch sensor

KTMBF-KRGBPKG/2M

Article no longer available - archive entry

Alternative articles: KTE101 or KTE102

When selecting an alternative article and accessories please note that technical data may differ!



### Product characteristics

|                   |      |                    |
|-------------------|------|--------------------|
| Electrical design |      | PNP                |
| Output function   |      | normally open      |
| Housing           |      | threaded type      |
| Dimensions        | [mm] | M22 x 1.5 / L = 31 |

### Application

|                     |  |          |
|---------------------|--|----------|
| Operating principle |  | bistable |
|---------------------|--|----------|

### Electrical data

|                             |      |            |
|-----------------------------|------|------------|
| Operating voltage           | [V]  | 12...30 DC |
| Current consumption         | [mA] | 30         |
| Protection class            |      | III        |
| Reverse polarity protection |      | yes        |
| Max. power-on delay time    | [ms] | 500        |

### Outputs

|   |      |               |
|---|------|---------------|
| Electrical design                               |      | PNP           |
| Output function                                 |      | normally open |
| Permanent current rating of switching output DC | [mA] | 200           |
| Short-circuit protection                        |      | yes           |
| Overload protection                             |      | yes           |

### Response times

|               |      |    |
|---------------|------|----|
| Response time | [ms] | 35 |
|---------------|------|----|

### Operating conditions

|                     |      |                                      |
|---------------------|------|--------------------------------------|
| Ambient temperature | [°C] | -40...85                             |
| Protection          |      | IP 65; IP 67; IP 69K; (on the front) |

# KT5150



## Illuminated capacitive touch sensor

KTMBF-KRGBPKG/2M

### Tests / approvals

|     |             |
|-----|-------------|
| EMC | IEC 61000-4 |
|-----|-------------|

### Mechanical data

|                    |   |
|--------------------|---|
| Weight [g]         | 99  |
| Housing            | threaded type                                       |
| Dimensions [mm]    | M22 x 1.5 / L = 31                                  |
| Thread designation | M22 x 1.5   |
| Materials          | PA 6.6-GF30 black; active face: PA Grilamid TR 90UV |

### Displays / operating elements

|         |                  |                               |
|---------|------------------|-------------------------------|
| Display | switching status | 1 x LED, green                |
|         | function         | 1 x LED, red can be triggered |

### Accessories

|                        |                    |
|------------------------|--------------------|
| Items supplied         | lock nuts: 1 x M22 |
|                        | Gasket: 1          |
| Accessories (optional) | symbol disc        |

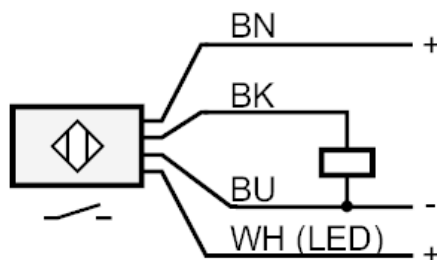
### Remarks

|               |        |
|---------------|--------|
| Pack quantity | 1 pcs. |
|---------------|--------|

### Electrical connection

Cable: 2 m, PUR

### Connection



|      |                |
|------|----------------|
|      | Core colours : |
| BK = | black          |
| BN = | brown          |
| BU = | blue           |
| WH = | white          |