

# KT5102



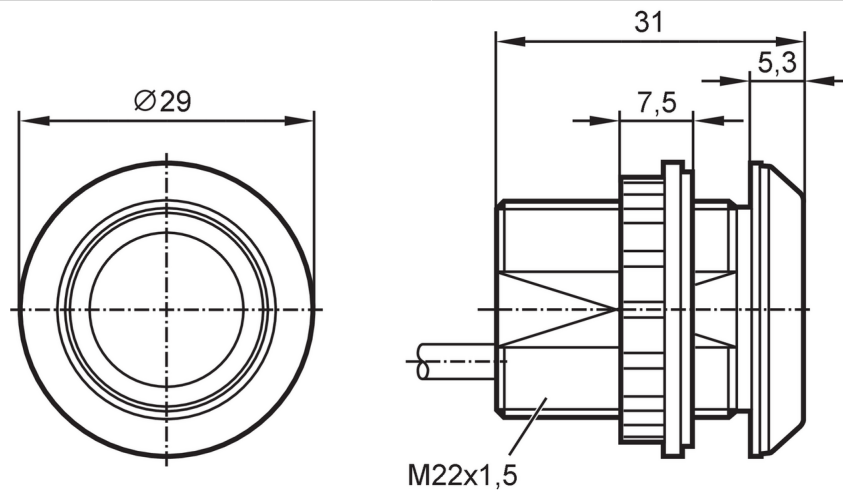
## Illuminated capacitive touch sensor

KTMDF-K-RBPKG/US/0,3M

Article no longer available - archive entry

Alternative articles: KTE101 or KTE102

When selecting an alternative article and accessories please note that technical data may differ!



### Product characteristics

Electrical design		PNP
Output function		normally open
Housing		threaded type
Dimensions	[mm]	M22 x 1.5 / L = 31

### Application

Operating principle		dynamic
---------------------	--	---------

### Electrical data

Operating voltage	[V]	12...30 DC
Current consumption	[mA]	30
Protection class		III
Reverse polarity protection		yes
Max. power-on delay time	[ms]	500

### Outputs

Electrical design		PNP
Output function		normally open
Permanent current rating of switching output DC	[mA]	200
Short-circuit protection		yes
Overload protection		yes
Length of output signal	[ms]	300

### Response times

Response time	[ms]	35
---------------	------	----

### Operating conditions

Ambient temperature	[°C]	-40...85
---------------------	------	----------

# KT5102



## Illuminated capacitive touch sensor

KTMDF-K-RBPKG/US/0,3M

Protection	IP 65; IP 67; IP 69K; (on the front)
------------	--------------------------------------

### Tests / approvals

MTTF	[years]	352
------	---------	-----

### Mechanical data

Weight	[g]	55.5
Housing		threaded type
Dimensions	[mm]	M22 x 1.5 / L = 31
Thread designation		M22 x 1.5
Materials		PA 6.6-GF30 black; active face: PA Grilamid TR 90UV

### Displays / operating elements

Display	switching status	1 x LED, red
	operation	1 x LED, green

### Accessories

Items supplied	lock nuts: 1 x M22
	Gasket: 1
Accessories (optional)	symbol disc

### Remarks

Pack quantity	1 pcs.
---------------	--------

### Electrical connection - plug

Cable: 0.3 m, PUR

Connector: 1 x M12; coding: A; Contacts: 4



### Connection

