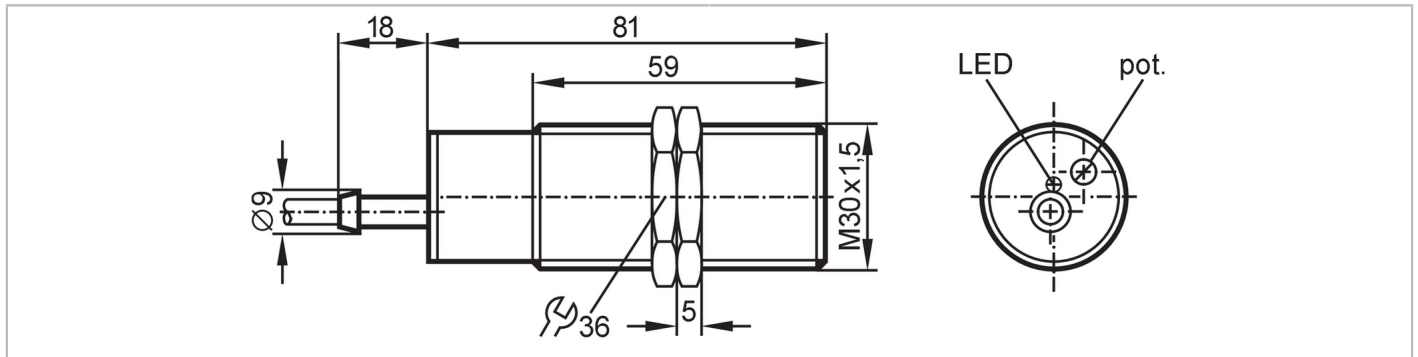


# KI5207



## Capacitive sensor

KI-3015-FPKG/NI RT



### Product characteristics

Electrical design	PNP
Output function	normally open / normally closed; (selectable)
Sensing range [mm]	3...15
Housing	threaded type
Dimensions [mm]	M30 x 1.5 / L = 81

### Electrical data

Operating voltage [V]	10...36 DC
Current consumption [mA]	13; (24 V)
Protection class	II
Reverse polarity protection	yes

### Outputs

Electrical design	PNP
Output function	normally open / normally closed; (selectable)
Max. voltage drop switching output DC [V]	2.5
Permanent current rating of switching output DC [mA]	250
Switching frequency DC [Hz]	40
Short-circuit proof	yes
Overload protection	yes

### Detection zone

Sensing range [mm]	3...15
Sensing range adjustable	yes
Factory setting sensing range [mm]	15
Real sensing range Sr [mm]	15 ± 10 %
Operating distance [mm]	0...12.1

### Accuracy / deviations

Correction factor	glass: 0.4 / water: 1 / ceramics: 0.2 / PVC: 0.2
Hysteresis [% of Sr]	1...15
Switch point drift [% of Sr]	-15...15

### Operating conditions

Ambient temperature [°C]	-25...70
--------------------------	----------

# KI5207



## Capacitive sensor

KI-3015-FPKG/NI RT

Protection	IP 65
Increased immunity	yes; (increased immunity to conducted radio frequency interference)

### Tests / approvals

EMC	EN 60947-5-2
MTTF [years]	692

### Mechanical data

Weight [g]	181
Housing	threaded type
Mounting	non-flush mountable
Dimensions [mm]	M30 x 1.5 / L = 81
Thread designation	M30 x 1.5
Materials	housing: PBT

### Displays / operating elements

Display	switching status	1 x LED, red
---------	------------------	--------------

### Accessories

Items supplied	lock nuts: 2
	screwdriver: 1

### Remarks

Pack quantity	1 pcs.
---------------	--------

### Electrical connection

Cable: 2 m, PVC; 3 x 0.5 mm<sup>2</sup>

### Connection



Core colours :  
 BK = black  
 BN = brown  
 BU = blue