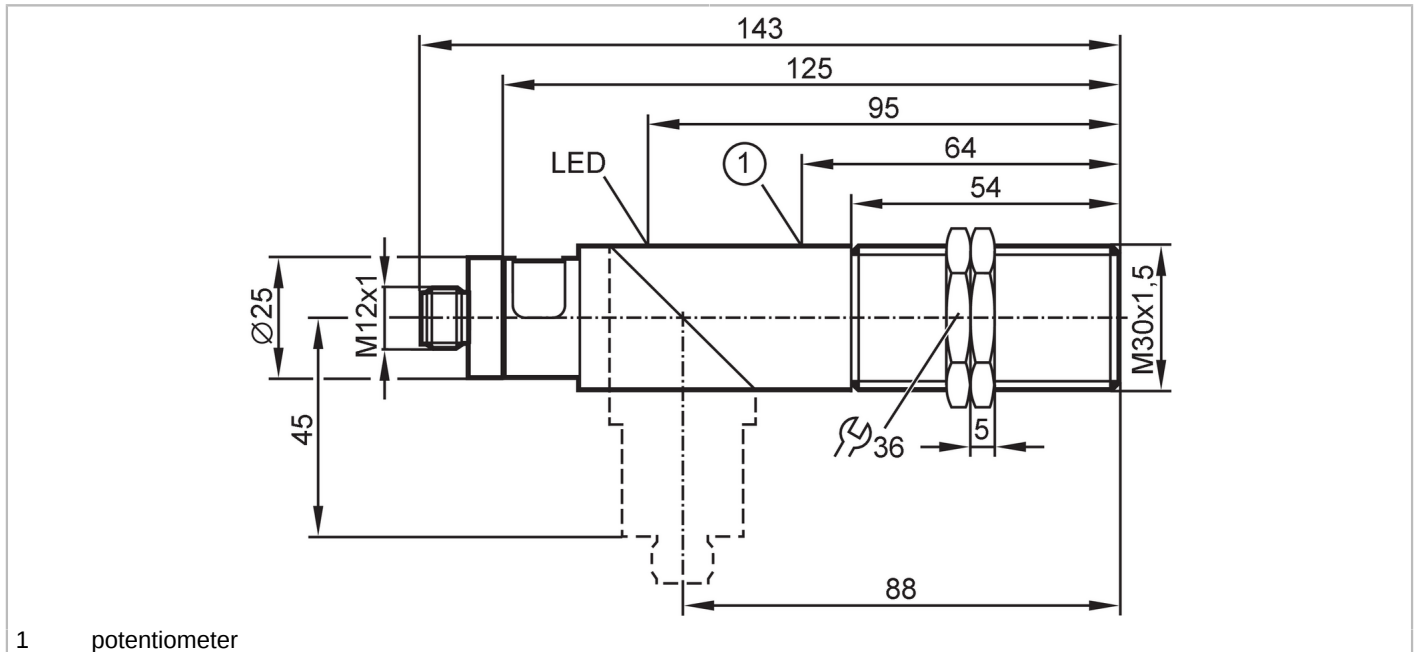


KI5052



Capacitive sensor

KIE3015-FPKG/NI/55V/US-100-DPX



1 potentiometer



Product characteristics	
Electrical design	PNP
Output function	normally open / normally closed; (selectable)
Sensing range [mm]	15
Housing	threaded type
Dimensions [mm]	M30 x 1.5 / L = 143
Electrical data	
Operating voltage [V]	10...55 DC; ("supply class 2" to cULus)
Current consumption [mA]	14; (24 V)
Protection class	II
Reverse polarity protection	yes
Outputs	
Electrical design	PNP
Output function	normally open / normally closed; (selectable)
Max. voltage drop switching output DC [V]	2.5
Permanent current rating of switching output DC [mA]	250
Switching frequency DC [Hz]	40
Short-circuit proof	yes
Overload protection	yes
Detection zone	
Sensing range [mm]	15
Operating conditions	
Ambient temperature [°C]	-25...70
Protection	IP 65

KI5052



Capacitive sensor

KIE3015-FPKG/NI/55V/US-100-DPX

Increased immunity yes; (increased immunity to conducted radio frequency interference)

Tests / approvals

EMC	EN 60947-5-2
MTTF [years]	743

Mechanical data

Weight [g]	146
Housing	threaded type
Mounting	non-flush mountable
Dimensions [mm]	M30 x 1.5 / L = 143
Thread designation	M30 x 1.5
Materials	housing: PBT; bevelled housing part: PC

Displays / operating elements

Display	switching status	1 x LED, yellow
---------	------------------	-----------------

Accessories

Items supplied	lock nuts: 2
	screwdriver: 1

Remarks

Pack quantity	1 pcs.
---------------	--------

Electrical connection - plug

Connector: 1 x M12; coding: A



Connection

