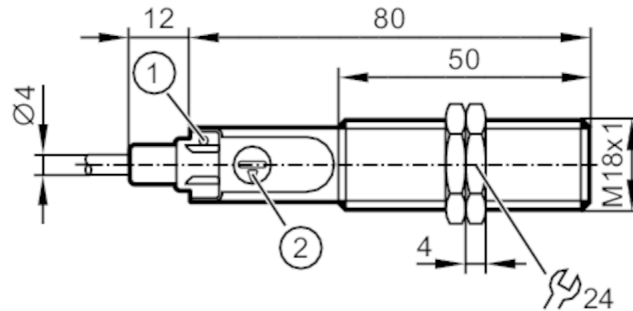


KG5300



Capacitive sensor

KG-3150NANKG/SL/1P/IO



- 1 LED yellow switching status
2 potentiometer Sensing range



Product characteristics

Electrical design		NPN
Output function		normally open
Sensing range	[mm]	0.5...30
Communication interface		IO-Link
Housing		threaded type
Dimensions	[mm]	M18 x 1 / L = 92.5

Application

Medium temperature	[°C]	-25...110
--------------------	------	-----------

Electrical data

Operating voltage	[V]	10...30 DC
Current consumption	[mA]	< 22
Protection class		III
Reverse polarity protection		yes

Outputs

Electrical design		NPN
Output function		normally open
Max. voltage drop switching output DC	[V]	2.5
Permanent current rating of switching output DC	[mA]	200
Switching frequency DC	[Hz]	30
Short-circuit proof		yes
Overload protection		yes

Detection zone

Sensing range	[mm]	0.5...30
Sensing range adjustable		yes
Factory setting sensing range	[mm]	15
Real sensing range Sr	[mm]	15 ± 10 %

KG5300



Capacitive sensor

KG-3150NANKG/SL/1P/IO

Accuracy / deviations		
Hysteresis	[% of Sr]	1...15
Switch point drift	[% of Sr]	-15...15
Interfaces		
Communication interface		IO-Link
Transmission type		COM2 (38,4 kBaud)
IO-Link revision		1.1
SDCI standard		IEC 61131-9
Profiles		Smart Sensor: Process Data Variable; Device Identification
SIO mode		yes
Required master port type		A
Min. process cycle time	[ms]	20
IO-Link functions (acyclical)		application specific tag; operating hours counter; normally open / normally closed (configurable); PNP / NPN (parametrierbar); switch point setting; Hysteresis
Operating conditions		
Ambient temperature	[°C]	-25...80
Protection		IP 65; IP 67; IP 69K
Tests / approvals		
EMC	EN 61000-4-2	30 kV AD / 4 kV CD
	EN 61000-4-3	10 V/m
	EN 61000-4-4	2 kV
	EN 61000-4-6	10 V
	EN 55011	class B
Vibration resistance	DIN EN 60947-5-2	1 mm amplitude, oscillation period 5 min., 30 min. per axis at resonance or 55 Hz
Shock resistance	DIN EN 60947-5-2	30 g 6 shocks / 11 ms half-sine (x, y, z)
MTTF	[years]	1269
UL approval	Ta	-25...60 °C
	Enclosure type	Type 1
	voltage supply	Limited Voltage/Current
	UL Approval no.	D004
	File number UL	E174191
Mechanical data		
Weight	[g]	62
Housing		threaded type
Mounting		non-flush mountable
Dimensions	[mm]	M18 x 1 / L = 92.5
Thread designation		M18 x 1
Materials		PBT; PC; POM
Tightening torque	[Nm]	8
Displays / operating elements		
Display	switching status	1 x LED, yellow
Accessories		
Items supplied		lock nuts: 2

KG5300



Capacitive sensor

KG-3150NANKG/SL/1P/IO

Remarks

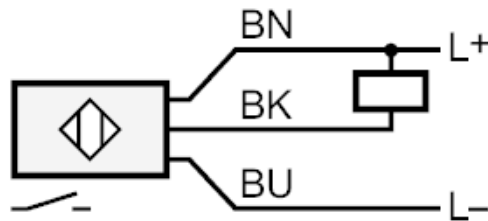
Pack quantity

1 pcs.

Electrical connection

Cable: 2 m, PUR, Ø 4 mm; 3 x 0.34 mm²

Connection



BK: OUT / IO-Link
 Core colours :
BK = black
BN = brown
BU = blue