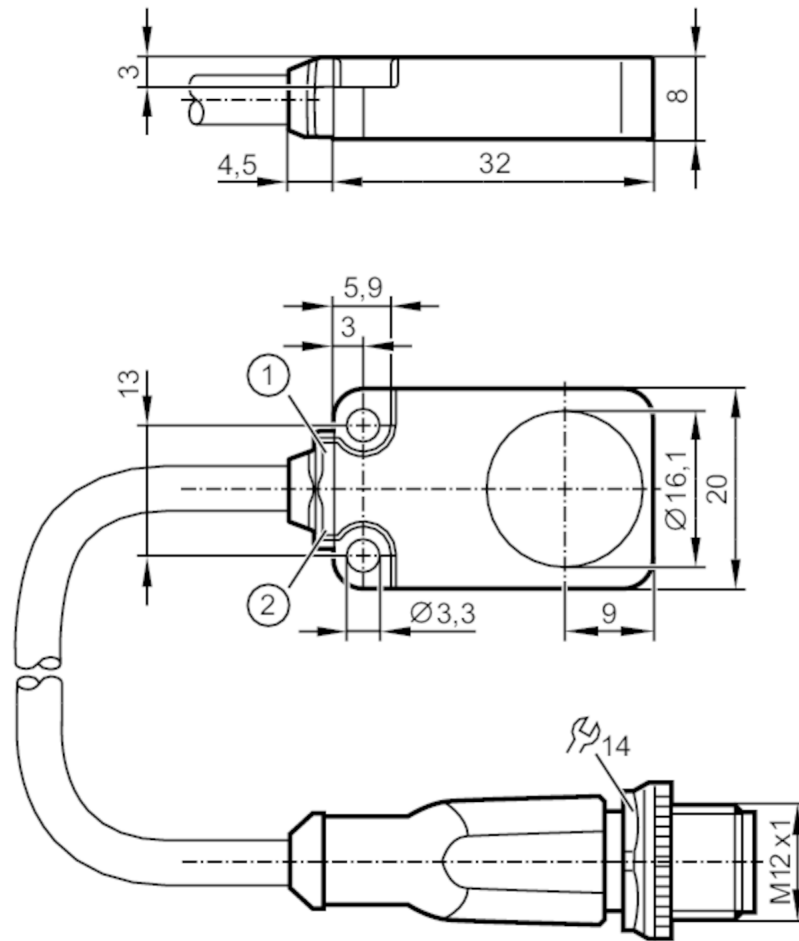


# IQ2002



## Inductive sensor

IQ23008BBPKG/0.3M/PUR/US



- 1 LED yellow
- 2 LED green



### Product characteristics

Electrical design	PNP
Output function	normally open
Sensing range [mm]	8
Housing	rectangular
Dimensions [mm]	20 x 8 x 32

### Application

Special feature	Increased sensing range
-----------------	-------------------------

### Electrical data

Operating voltage [V]	10...30 DC
Current consumption [mA]	< 10
Protection class	III
Reverse polarity protection	yes



## Inductive sensor

IQ23008BBPKG/0.3M/PUR/US

Outputs		
Electrical design		PNP
Output function		normally open
Max. voltage drop switching output DC	[V]	2.5
Permanent current rating of switching output DC	[mA]	100
Switching frequency DC	[Hz]	400
Short-circuit protection		yes
Overload protection		yes
Detection zone		
Sensing range	[mm]	8
Real sensing range Sr	[mm]	8 ± 10 %
Operating distance	[mm]	0...6.48
Increased sensing range		yes
Accuracy / deviations		
Correction factor		steel: 1 / stainless steel: 0.7 / brass: 0.5 / aluminium: 0.4 / copper: 0.3
Hysteresis	[% of Sr]	1...15
Switch point drift	[% of Sr]	-10...10
Operating conditions		
Ambient temperature	[°C]	-40...85
Protection		IP 65; IP 66; IP 67; IP 68
Tests / approvals		
EMC	EN 61000-4-2 ESD	4 kV CD / 8 kV AD
	EN 61000-4-3 HF radiated	10 V/m
	EN 61000-4-4 Burst	2 kV
	EN 61000-4-6 HF conducted	10 V
	EN 55011	class B
Vibration resistance	EN 60068-2-6 Fc	20 g (10...3000 Hz) / 50 sweep cycles, 1 octave per minute, in 3 axes
Shock resistance	EN 60068-2-27 Ea	100 g 11 ms half-sine; 3 shocks each in every direction of the 3 coordinate axes
Continuous shock resistance	EN 60068-2-27	40 g 6 ms; 4000 shocks each in every direction of the 3 coordinate axes
Fast temperature change	EN 60068-2-14 Na	TA = -40°C; TB = 85°C; t1 = 30 min; t2 = < 10 s 50 cycles
MTTF	[years]	1688
UL approval	Ta	-25...70 °C
	Enclosure type	Type 1
	voltage supply	Limited Voltage/Current
	UL Approval no.	A016
	File number UL	E174191

# IQ2002



## Inductive sensor

IQ23008BBPKG/0.3M/PUR/US

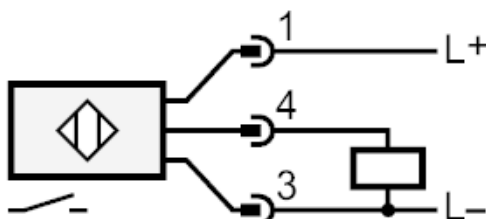
Mechanical data	
Weight [g]	42.7
Housing	rectangular
Mounting	flush mountable
Dimensions [mm]	20 x 8 x 32
Materials	diecast zinc special coating; sensing face: PBT orange; LED window: TPU; potting: PUR

Displays / operating elements		
Display	Display operation	1 x LED, green
	switching status	1 x LED, yellow

Remarks	
Pack quantity	1 pcs.

Electrical connection	
Cable: 0.3 m, PUR, Ø 4.9 mm; 3 x 0.34 mm <sup>2</sup>	

### Connection



Electrical connection - plug	
Connector: 1 x M12	