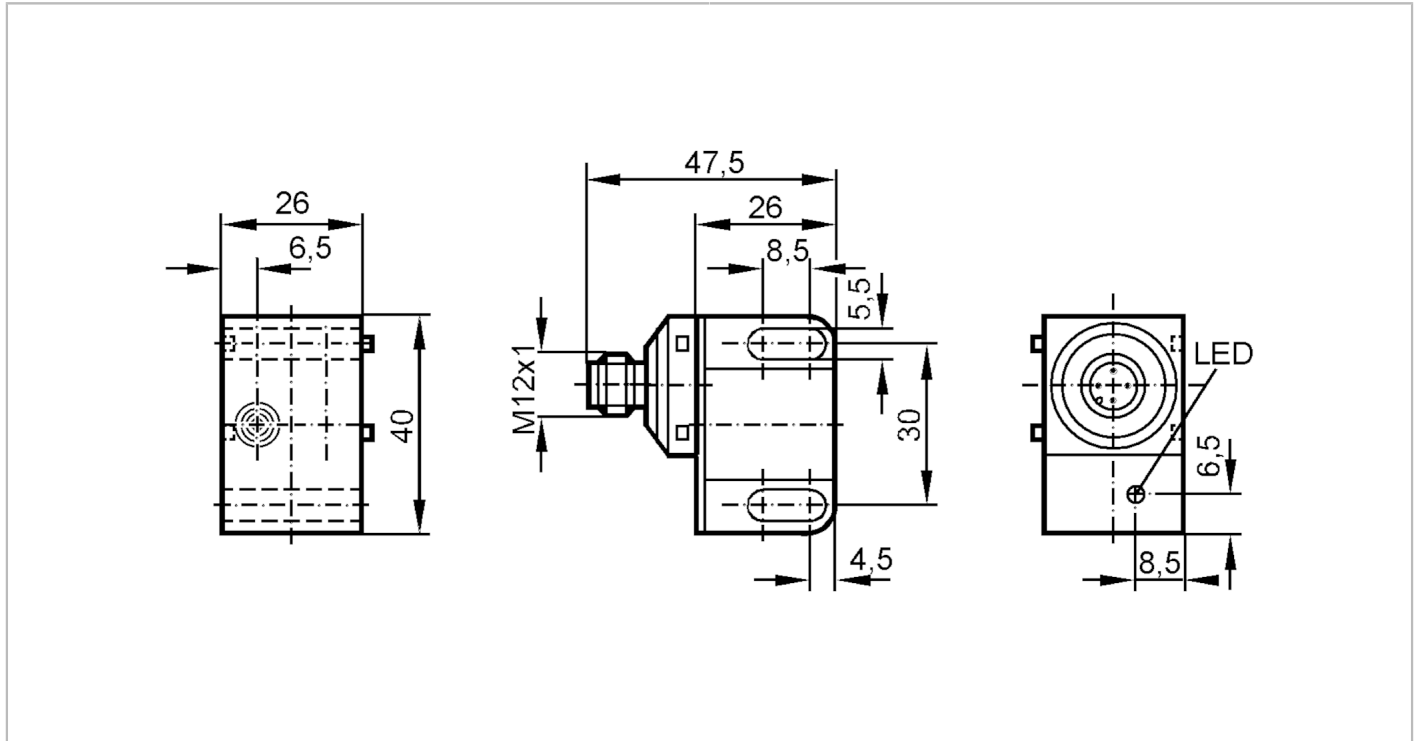




Dual inductive sensor for valve actuators

IND3004-BPKG/US-100-KPS/A2



Product characteristics

Electrical design		PNP
Output function		normally open
Sensing range	[mm]	4
Housing		rectangular
Dimensions	[mm]	26 x 40 x 47.5

Application

Application		position sensor for valve actuators
-------------	--	-------------------------------------

Electrical data

Operating voltage	[V]	10...36 DC
Current consumption	[mA]	15; (36 V)
Protection class		II
Reverse polarity protection		yes

Outputs

Electrical design		PNP
Output function		normally open
Max. voltage drop switching output DC	[V]	2.5
Permanent current rating of switching output DC	[mA]	250
Switching frequency DC	[Hz]	1300
Short-circuit protection		yes
Type of short-circuit protection		pulsed

IN5280



Dual inductive sensor for valve actuators

IND3004-BPKG/US-100-KPS/A2

Overload protection	yes
---------------------	-----

Detection zone

Sensing range [mm]	4
Real sensing range Sr [mm]	4 ± 10 %
Operating distance [mm]	0...3.25

Accuracy / deviations

Correction factor	steel: 1 / stainless steel: 0.7 / brass: 0.4 / aluminium: 0.3 / copper: 0.2
Hysteresis [% of Sr]	1...15
Switch point drift [% of Sr]	-10...10

Operating conditions

Ambient temperature [°C]	-25...80
Protection	IP 67

Tests / approvals

EMC	EN 60947-5-2	
	EN 55011	class B
MTTF [years]	1883	

Mechanical data

Weight [g]	56
Housing	rectangular
Mounting	non-flush mountable
Dimensions [mm]	26 x 40 x 47.5
Materials	housing: PBT

Displays / operating elements

Display	switching status	1 x LED, yellow
---------	------------------	-----------------

Remarks

Pack quantity	1 pcs.
---------------	--------

Electrical connection - plug

Connector: 1 x M12; coding: A; Moulded body: stainless steel (303/1.4305)



IN5280



Dual inductive sensor for valve actuators

IND3004-BPKG/US-100-KPS/A2

Connection

