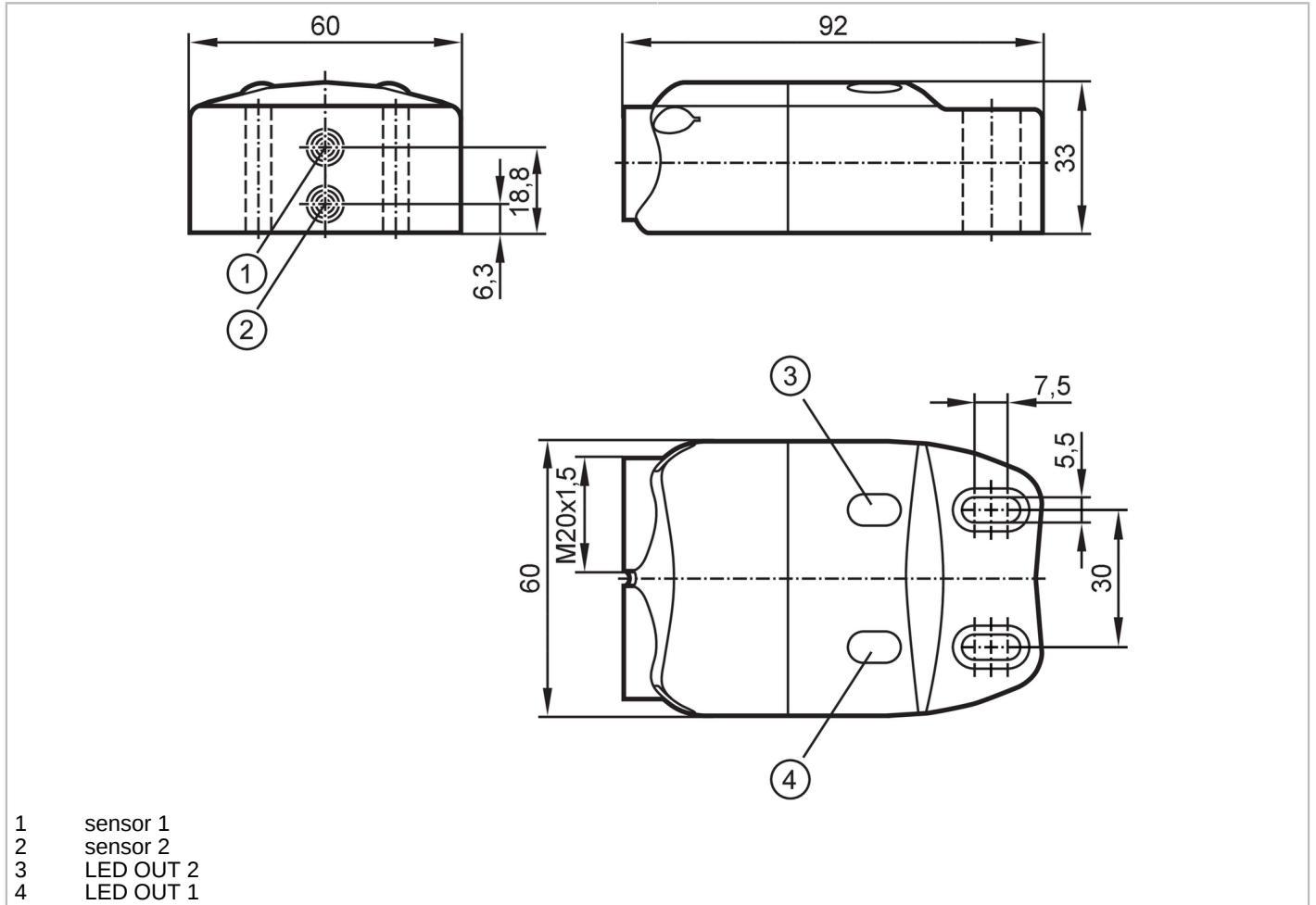


IN0131



Inductive sensor

INE2004DABOA



Product characteristics	
Output function	2 x normally open
Sensing range [mm]	4
Housing	rectangular
Dimensions [mm]	33 x 60 x 92
Application	
Application	position sensor for valve actuators; actuator control
Electrical data	
Frequency AC [Hz]	47...63
Operating voltage [V]	20...250 AC/DC
Current consumption [mA]	< 15
Protection class	II
Reverse polarity protection	yes
Outputs	
Output function	2 x normally open
Max. voltage drop switching output DC [V]	6

IN0131



Inductive sensor

INE2004DABOA

Max. voltage drop switching output AC	[V]	6.5
Minimum load current	[mA]	5
Max. leakage current	[mA]	2.5 (250 V AC) / 1.3 (110 V AC) / 0.8 (24 V DC)
Permanent current rating of switching output AC	[mA]	250; (350 (...50 °C))
Permanent current rating of switching output DC	[mA]	100
Short-time current rating of switching output	[mA]	2200; (20 ms / 0,5 Hz)
Switching frequency AC	[Hz]	25
Switching frequency DC	[Hz]	50
Short-circuit protection		no
Overload protection		no

Detection zone

Sensing range	[mm]	4
Real sensing range Sr	[mm]	4 ± 10 %
Operating distance	[mm]	0...3.25

Accuracy / deviations

Correction factor		steel: 1 / stainless steel: 0.7 / brass: 0.5 / aluminium: 0.4 / copper: 0.3
Hysteresis	[% of Sr]	1...15
Switch point drift	[% of Sr]	-10...10

Operating conditions

Ambient temperature	[°C]	-25...70
Protection		IP 67

Tests / approvals

EMC		EN 60947-5-2
MTTF	[years]	307
UL approval	Ta	-25...70 °C
	Enclosure type	Type 1
	File number UL	E174191

Mechanical data

Weight	[g]	168.05
Housing		rectangular
Mounting		non-flush mountable
Dimensions	[mm]	33 x 60 x 92
Materials		housing: PA

Displays / operating elements

Display	switching status	2 x LED, yellow
---------	------------------	-----------------

Electrical connection

Required protection		miniature fuse to IEC60127-2 sheet 1; ≤ 2 A; fast acting
---------------------	--	--

Accessories

Items supplied		washers: 2 cylinder screws: 2 x (M5 x 18 mm)
----------------	--	---

IN0131



Inductive sensor

INE2004DABOA

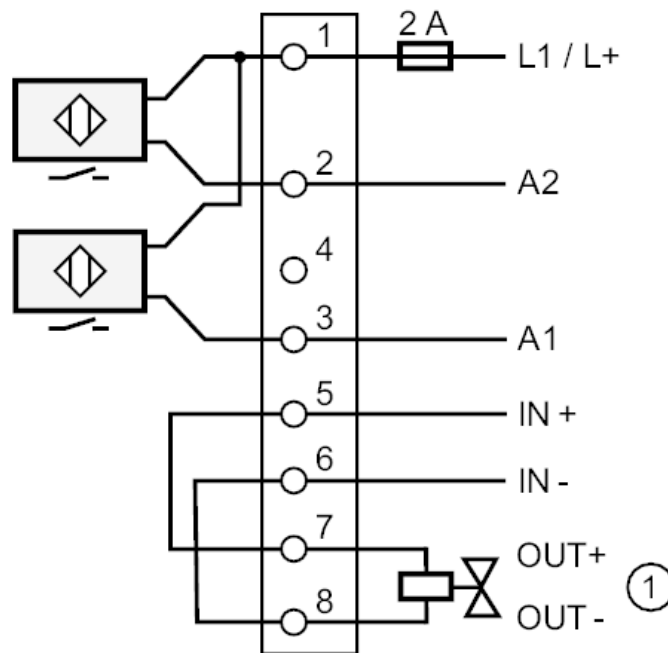
Remarks

Remarks	Recommendation: Check the safe functioning of the unit after a short circuit.
Pack quantity	1 pcs.

Electrical connection

terminal strip in the terminal chamber:

Connection



1

Note miniature fuse to IEC60127-2 sheet 1 ≤ 2 A fast acting output solenoid valve