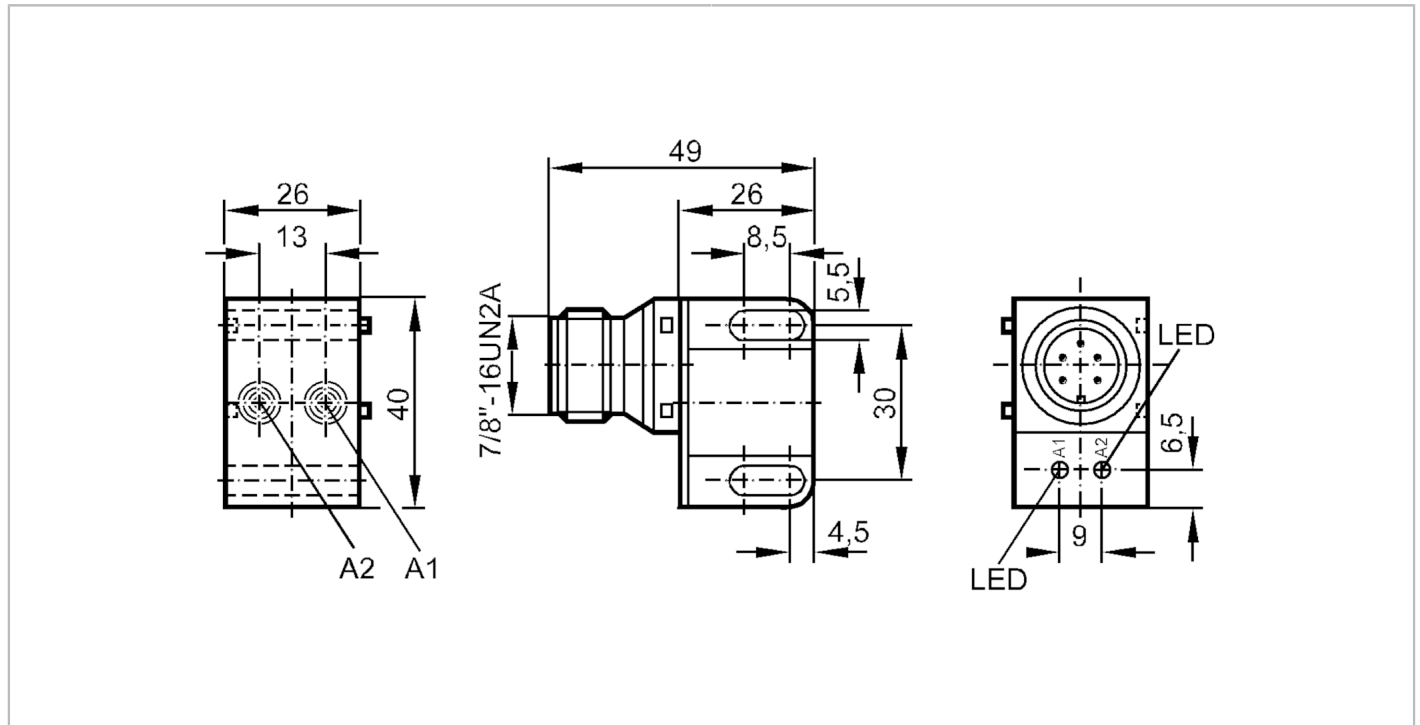


# IN0117



## Dual inductive sensor for valve actuators

IND2004DAROA/SL/LS-500 RT



Product characteristics	
Output function	2 x normally open
Sensing range [mm]	4
Housing	rectangular
Dimensions [mm]	40 x 26 x 26
Electrical data	
Frequency AC [Hz]	47...63
Operating voltage [V]	20...140 AC / 10...140 DC
Protection class	I
Reverse polarity protection	no
Outputs	
Output function	2 x normally open
Max. voltage drop switching output DC [V]	5
Max. voltage drop switching output AC [V]	5
Minimum load current [mA]	5
Max. leakage current [mA]	0.8
Permanent current rating of switching output AC [mA]	200
Permanent current rating of switching output DC [mA]	200
Short-time current rating of switching output [mA]	900; (20 ms / 0,5 Hz)
Switching frequency AC [Hz]	25
Switching frequency DC [Hz]	25

# IN0117



## Dual inductive sensor for valve actuators

IND2004DAROA/SL/LS-500 RT

Short-circuit proof		no
Overload protection		no
<b>Detection zone</b>		
Sensing range	[mm]	4
Real sensing range Sr	[mm]	4 ± 10 %
Operating distance	[mm]	0...3.25
<b>Accuracy / deviations</b>		
Correction factor		steel: 1 / stainless steel: 0.7 / brass: 0.4 / aluminium: 0.3 / copper: 0.2
Hysteresis	[% of Sr]	3...15
Switch point drift	[% of Sr]	-10...10
<b>Operating conditions</b>		
Ambient temperature	[°C]	-25...80
Protection		IP 67
<b>Tests / approvals</b>		
EMC	EN 60947-5-2	
	EN 55011	class B
MTTF	[years]	502
<b>Mechanical data</b>		
Weight	[g]	78.5
Housing		rectangular
Mounting		non-flush mountable
Dimensions	[mm]	40 x 26 x 26
Materials		stainless steel (303/1.4305); PBT
<b>Displays / operating elements</b>		
Display	switching status	2 x LED, red
<b>Electrical connection</b>		
Required protection		miniature fuse to IEC60127-2 sheet 1; ≤ 2 A; fast acting; Place the fuse outside the hazardous area.
<b>Remarks</b>		
Remarks		Recommendation: Check the safe functioning of the unit after a short circuit.
Pack quantity		1 pcs.

# IN0117

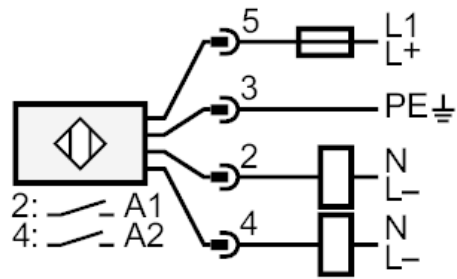
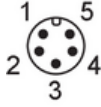


## Dual inductive sensor for valve actuators

IND2004DAROA/SL/LS-500 RT

### Electrical connection - plug

Connector: 1 x 7/8"; coding: A



Note miniature fuse to IEC60127-2 sheet 1  $\leq 2$  A fast acting  
Place the fuse outside the hazardous area.