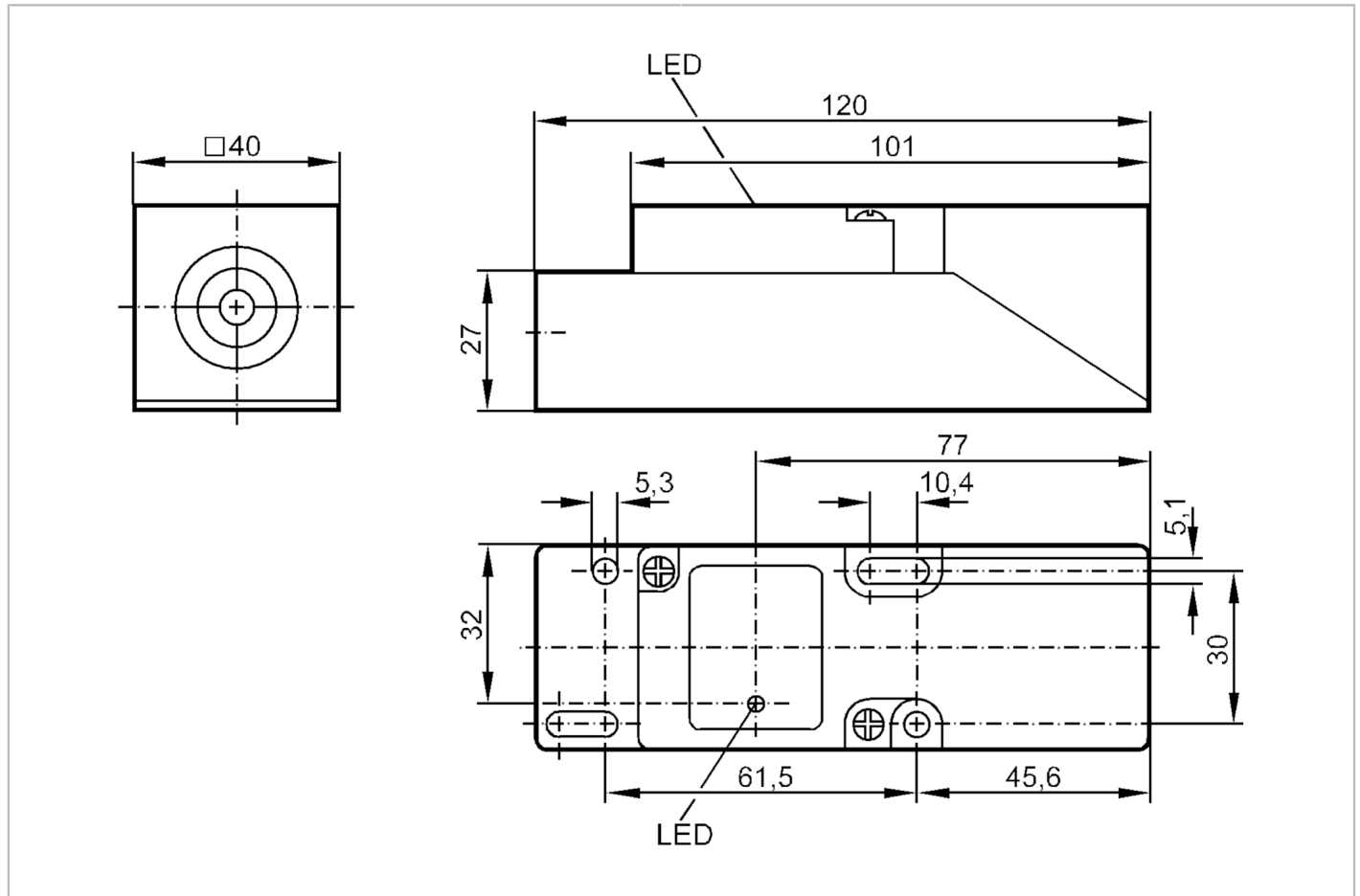


IM5054



Inductive sensor

IME3015BFPKG/0.PG-VERSCH.O.V.



Product characteristics	
Electrical design	PNP
Output function	normally open / closed; (selectable)
Sensing range [mm]	15
Housing	rectangular
Dimensions [mm]	40 x 40 x 120
Electrical data	
Operating voltage [V]	10...36 DC
Current consumption [mA]	15; (24 V)
Protection class	II
Reverse polarity protection	yes
Outputs	
Electrical design	PNP
Output function	normally open / closed; (selectable)
Max. voltage drop switching output DC [V]	2.5
Permanent current rating of switching output DC [mA]	250
Switching frequency DC [Hz]	250

IM5054



Inductive sensor

IME3015BFPKG/0.PG-VERSCH.O.V.

Short-circuit protection		yes
Type of short-circuit protection		yes (non-latching)
Overload protection		yes
Monitoring range		
Sensing range	[mm]	15
Real sensing range Sr	[mm]	15 ± 10 %
Operating distance	[mm]	0...12.1
Accuracy / deviations		
Correction factor		steel: 1 / stainless steel: 0.7 / brass: 0.4 / aluminum: 0.3 / copper: 0.2
Hysteresis	[% of Sr]	1...15
Switch-point drift	[% of Sr]	-10...10
Operating conditions		
Ambient temperature	[°C]	-25...80
Protection		IP 65
Tests / approvals		
EMC	EN 61000-4-2 ESD	4 kV CD
	EN 61000-4-3 HF radiated	3 V/m
	EN 61000-4-4 Burst	2 kV
	EN 61000-4-6 HF conducted	3 V
	EN 55011	class B
MTTF	[years]	2234
Mechanical data		
Weight	[g]	183.8
Housing		rectangular
Mounting		flush mountable
Dimensions	[mm]	40 x 40 x 120
Material		PPE
Displays / operating elements		
Display	Switching status	1 x LED, yellow
Remarks		
Remarks		5 positions of the active zone possible cable gland (E11270) to be ordered separately
Pack quantity		1 pcs.

IM5054



Inductive sensor

IME3015BFPKG/0.PG-VERSCH.O.V.

Electrical connection

terminals: ...2.5 mm²; Cable sheath: Ø 7...13 mm; Cable gland: M20 X 1.5

Connection

