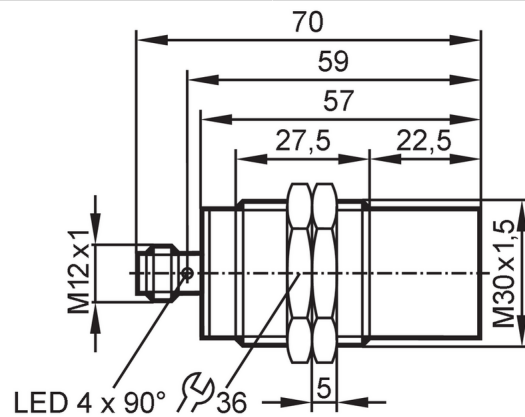




Inductive full-metal sensor

IIK3025-BPKG/AM/P/US



Product characteristics	
Electrical design	PNP
Output function	normally open
Sensing range [mm]	25
Housing	threaded type
Dimensions [mm]	M30 x 1.5 / L = 70
Application	
Special feature	Gold-plated contacts; Increased sensing range; Full-metal housing
Application	Use in hygienic areas / regular cleaning processes
Pressure rating	100 bar 10 MPa
Note on pressure rating	sensing face
Electrical data	
Operating voltage [V]	10...36 DC
Current consumption [mA]	< 25
Protection class	III
Reverse polarity protection	yes
Outputs	
Electrical design	PNP
Output function	normally open
Max. voltage drop switching output DC [V]	2.5
Permanent current rating of switching output DC [mA]	100
Switching frequency DC [Hz]	250
Short-circuit protection	yes
Type of short-circuit protection	pulsed
Overload protection	yes
Detection zone	
Sensing range [mm]	25
Real sensing range S_r [mm]	$25 \pm 10 \%$
Operating distance [mm]	0...20.3

IIT231



Inductive full-metal sensor

IHK3025-BPKG/AM/P/US

Increased sensing range	yes
-------------------------	-----

Accuracy / deviations

Correction factor	steel: 1 / stainless steel: 1 / brass: 0.7 / aluminium: 0.6 / copper: 0.4
Hysteresis [% of Sr]	1...20
Switch point drift [% of Sr]	-10...10

Operating conditions

Ambient temperature [°C]	0...100
Protection	IP 65; IP 67; IP 68; IP 69K

Tests / approvals

EMC	EN 61000-4-2 ESD	4 kV CD / 8 kV AD
	EN 61000-4-3 HF radiated	10 V/m
	EN 61000-4-4 Burst	2 kV
	EN 61000-4-6 HF conducted	10 V
	EN 55011 emission	class B
Impact resistance		1 J
MTTF [years]		1262
UL approval	Ta	0...40 °C
	Enclosure type	Type 1
	voltage supply	Limited Voltage/Current
	File number UL	E174191

Mechanical data

Weight [g]	165.043
Housing	threaded type
Mounting	non-flush mountable
Dimensions [mm]	M30 x 1.5 / L = 70
Thread designation	M30 x 1.5
Materials	housing: stainless steel (316L/1.4404); sensing face: stainless steel (316L/1.4404); lock nuts: stainless steel (316L/1.4404)
Full-metal housing	yes

Displays / operating elements

Display	switching status	4 x 90° LED, yellow
---------	------------------	---------------------

Accessories

Items supplied	lock nuts: 2
----------------	--------------

Remarks

Pack quantity	1 pcs.
---------------	--------

Electrical connection - plug

Connector: 1 x M12; coding: A; Contacts: 3, gold-plated



IIT231



Inductive full-metal sensor

IIK3025-BPKG/AM/P/US

Connection



Diagrams and graphs

Installation

