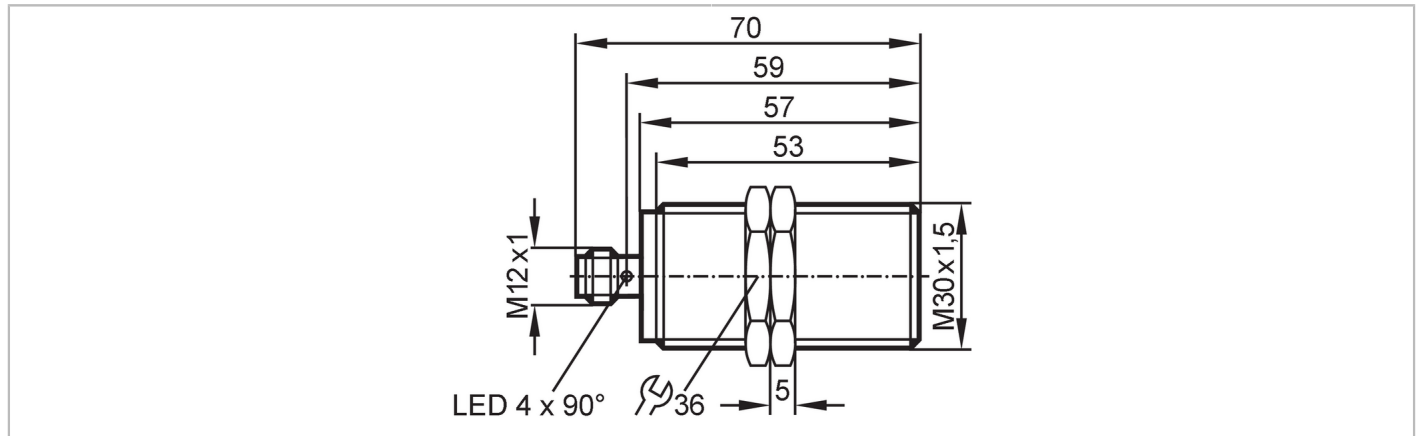




Inductive sensor

IIC015BASKG/2LED/US-104



| Product characteristics | | |
|---|------|--|
| Electrical design | | PNP/NPN |
| Output function | | normally open |
| Sensing range | [mm] | 15 |
| Housing | | threaded type |
| Dimensions | [mm] | M30 x 1.5 / L = 70 |
| Application | | |
| Special feature | | Gold-plated contacts; Increased sensing range; Optical setting aid |
| Application | | Industrial applications / factory automation |
| Electrical data | | |
| Operating voltage | [V] | 10...36 DC |
| Current consumption | [mA] | 10; (24 V) |
| Protection class | | II |
| Reverse polarity protection | | yes |
| Outputs | | |
| Electrical design | | PNP/NPN |
| Output function | | normally open |
| Max. voltage drop switching output DC | [V] | 2.5 |
| Minimum load current | [mA] | 2; (only in 2-wire operation) |
| Max. leakage current | [mA] | 0.5; (only in 2-wire operation) |
| Permanent current rating of switching output DC | [mA] | 100 |
| Switching frequency DC | [Hz] | 100 |
| Short-circuit protection | | yes |
| Type of short-circuit protection | | pulsed |
| Overload protection | | yes |
| Detection zone | | |
| Sensing range | [mm] | 15 |
| Real sensing range Sr | [mm] | 15 ± 10 % |

IIS206



Inductive sensor

IIC015BASKG/2LED/US-104

| | | |
|--------------------------------------|---------------------------|---|
| Operating distance | [mm] | 0...12.1 |
| Increased sensing range | | yes |
| Accuracy / deviations | | |
| Correction factor | | steel: 1 / stainless steel: 0.7 / brass: 0.5 / aluminium: 0.4 / copper: 0.3 |
| Hysteresis | [% of Sr] | 3...15 |
| Switch point drift | [% of Sr] | -10...10 |
| Operating conditions | | |
| Ambient temperature | [°C] | -25...70 |
| Protection | | IP 67 |
| Tests / approvals | | |
| EMC | EN 61000-4-2 ESD | 4 kV CD / 8 kV AD |
| | EN 61000-4-3 HF radiated | 10 V/m |
| | EN 61000-4-4 Burst | 2 kV |
| | EN 61000-4-6 HF conducted | 10 V |
| | EN 55011 | class B |
| MTTF | [years] | 1548 |
| UL approval | Ta | 0...40 °C |
| | Enclosure type | Type 1 |
| | voltage supply | Limited Voltage/Current |
| | File number UL | E174191 |
| Mechanical data | | |
| Weight | [g] | 125.7 |
| Housing | | threaded type |
| Mounting | | flush mountable |
| Dimensions | [mm] | M30 x 1.5 / L = 70 |
| Thread designation | | M30 x 1.5 |
| Materials | | housing: brass white bronze coated; sensing face: PBT |
| Displays / operating elements | | |
| Display | switching status | 4 x 90° LED, yellow |
| | setting aid | 1 x LED, red |
| Optical setting aid | | yes |
| Accessories | | |
| Items supplied | | lock nuts: 2 |
| Remarks | | |
| Remarks | | suitable for PLC type 1 according to IEC 61131-2 |
| Pack quantity | | 1 pcs. |

IIS206



Inductive sensor

IIC015BASKG/2LED/US-104

Electrical connection - plug

Connector: 1 x M12; coding: A; Contacts: 4, gold-plated

