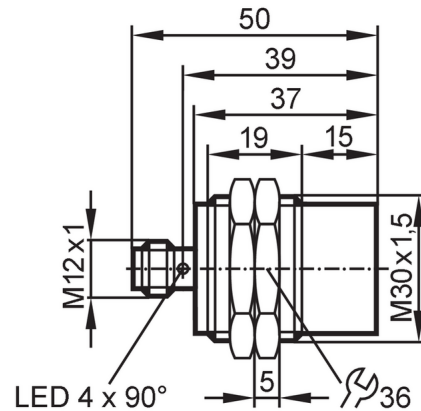


IIC201



Inductive sensor

IIB3022-BPKG/US-104



Product characteristics	
Electrical design	PNP
Output function	normally open
Sensing range [mm]	22
Housing	threaded type
Dimensions [mm]	M30 x 1.5 / L = 50
Application	
Special feature	Gold-plated contacts; Increased sensing range
Application	Use in machine tools, coolants and lubricants
Electrical data	
Operating voltage [V]	10...36 DC
Current consumption [mA]	10; (24 V)
Protection class	II
Reverse polarity protection	yes
Outputs	
Electrical design	PNP
Output function	normally open
Max. voltage drop switching output DC [V]	2.5
Permanent current rating of switching output DC [mA]	100
Switching frequency DC [Hz]	100
Short-circuit protection	yes
Type of short-circuit protection	pulsed
Overload protection	yes
Detection zone	
Sensing range [mm]	22
Real sensing range S_r [mm]	$22 \pm 10 \%$
Operating distance [mm]	0...17.82
Increased sensing range	yes

IIC201



Inductive sensor

IIB3022-BPKG/US-104

Accuracy / deviations		
Correction factor	steel: 1 / stainless steel: 0.7 / brass: 0.5 / aluminium: 0.4 / copper: 0.3	
Hysteresis [% of Sr]	3...15	
Switch point drift [% of Sr]	-10...10	
Operating conditions		
Ambient temperature [°C]	-25...70	
Protection	IP 68; ("Coolant")	
Tests / approvals		
EMC	EN 61000-4-2 ESD	4 kV CD / 8 kV AD
	EN 61000-4-3 HF radiated	10 V/m
	EN 61000-4-4 Burst	2 kV
	EN 61000-4-6 HF conducted	10 V
	EN 55011	class B
MTTF [years]	1134	
UL approval	Ta	0...40 °C
	Enclosure type	Type 1
	voltage supply	Limited Voltage/Current
	File number UL	E174191
Mechanical data		
Weight [g]	104	
Housing	threaded type	
Mounting	non-flush mountable	
Dimensions [mm]	M30 x 1.5 / L = 50	
Thread designation	M30 x 1.5	
Materials	housing: brass white bronze coated; sensing face: LCP	
Displays / operating elements		
Display	switching status	4 x 90° LED, yellow
Accessories		
Items supplied	lock nuts: 2	
Remarks		
Pack quantity	1 pcs.	
Electrical connection - plug		
Connector: 1 x M12; coding: A; Contacts: 4, gold-plated		

IIC201



Inductive sensor

IIB3022-BPKG/US-104

Connection

