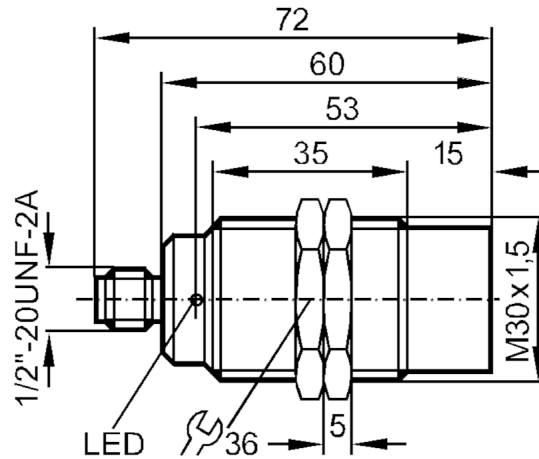




## Inductive sensor

I1K2022-ABOA/SL/LS-100-AK



### Product characteristics

Output function		normally open
Sensing range	[mm]	22
Housing		threaded type
Dimensions	[mm]	M30 x 1.5 / L = 72

### Electrical data

Operating voltage	[V]	20...250 AC/DC
Protection class		I
Reverse polarity protection		no

### Outputs

Output function		normally open
Max. voltage drop switching output DC	[V]	6
Max. voltage drop switching output AC	[V]	6.5
Minimum load current	[mA]	5
Max. leakage current	[mA]	1 (250 V AC) / 0.8 (140 V AC) / 0.8 (24 V DC)
Permanent current rating of switching output AC	[mA]	250; (350 (...50 °C))
Permanent current rating of switching output DC	[mA]	100
Short-time current rating of switching output	[mA]	2200; (20 ms / 0,5 Hz)
Switching frequency AC	[Hz]	25
Switching frequency DC	[Hz]	70

# II0341



## Inductive sensor

IIK2022-ABOA/SL/LS-100-AK

Short-circuit proof		no
Overload protection		no
<b>Detection zone</b>		
Sensing range	[mm]	22
Real sensing range Sr	[mm]	22 ± 10 %
Operating distance	[mm]	0...17.6
<b>Accuracy / deviations</b>		
Correction factor		steel: 1 / stainless steel: 0.7 / brass: 0.5 / aluminium: 0.48 / copper: 0.4
Hysteresis	[% of Sr]	3...20
Switch point drift	[% of Sr]	-10...10
<b>Operating conditions</b>		
Ambient temperature	[°C]	-25...70
Protection		IP 67
<b>Tests / approvals</b>		
EMC	EN 60947-5-2	
	EN 55011	class B
MTTF	[years]	606
<b>Mechanical data</b>		
Weight	[g]	217.5
Housing		threaded type
Mounting		non-flush mountable
Dimensions	[mm]	M30 x 1.5 / L = 72
Thread designation		M30 x 1.5
Materials		housing: brass white bronze coated; sensing face: PBT; LED window: PA
<b>Displays / operating elements</b>		
Display	switching status	1 x LED, red
<b>Electrical connection</b>		
Required protection		miniature fuse to IEC60127-2 sheet 1; ≤ 2 A; fast acting
<b>Accessories</b>		
Items supplied		lock nuts: 2
<b>Remarks</b>		
Remarks		Recommendation: Check the safe functioning of the unit after a short circuit.
Pack quantity		1 pcs.

# II0341

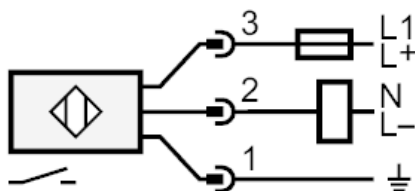


## Inductive sensor

IIK2022-ABOA/SL/LS-100-AK

### Electrical connection - plug

Connector: 1 x 1/2"; coding: C



Note miniature fuse to IEC60127-2 sheet 1  $\leq 2$  A fast acting