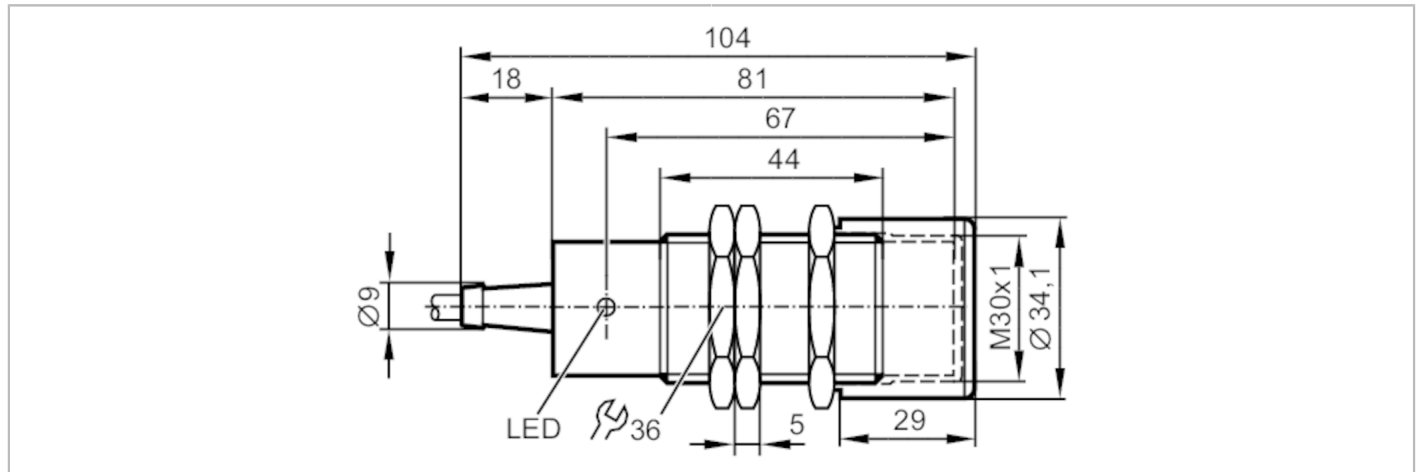


II001A



Inductive sensor

IIA2015-ABOA/6M/3D




Product characteristics	
Output function	normally open
Sensing range [mm]	15
Housing	threaded type
Dimensions [mm]	M30 x 1.5 / L = 81
Application	
Installation	use in hazardous areas only with installed protective cover
Electrical data	
Operating voltage [V]	20...250 AC/DC
Protection class	II
Reverse polarity protection	yes
Outputs	
Output function	normally open
Max. voltage drop switching output DC [V]	6
Max. voltage drop switching output AC [V]	6.5
Minimum load current [mA]	5
Max. leakage current [mA]	2.5 (250 V AC) / 1.3 (130 V AC) / 0.8 (24 V DC)
Permanent current rating of switching output AC [mA]	150
Permanent current rating of switching output DC [mA]	100
Short-time current rating of switching output [mA]	2200; (20 ms / 0,5 Hz)
Switching frequency AC [Hz]	25
Switching frequency DC [Hz]	50
Notes on switching frequency	only for resistive loads; 2 Hz for utilisation category AC-140
Short-circuit protection	no
Overload protection	no

II001A



Inductive sensor

IIA2015-ABOA/6M/3D

Detection zone		
Sensing range	[mm]	15
Real sensing range Sr	[mm]	15 ± 10 %
Operating distance	[mm]	0...12.1
Accuracy / deviations		
Correction factor		steel: 1 / stainless steel: 0.7 / brass: 0.4 / aluminium: 0.3 / copper: 0.2
Hysteresis	[% of Sr]	1...20
Switch point drift	[% of Sr]	-10...10
Operating conditions		
Ambient temperature	[°C]	-20...60
Protection		IP 67
Tests / approvals		
ATEX marking		 II 3D Ex tc IIIC T80°C Dc X
EMC	EN 61000-4-2 ESD	4 kV CD / 8 kV AD
	EN 61000-4-3 HF radiated	3 V/m
	EN 61000-4-4 Burst	2 kV
	EN 61000-4-6 HF conducted	3 V
	IEC 60255-5	1 kV line to line, Ri: 500 Ohm
EN 55011 emission	class B	
MTTF	[years]	607
Mechanical data		
Weight	[g]	489
Housing		threaded type
Mounting		non-flush mountable
Dimensions	[mm]	M30 x 1.5 / L = 81
Thread designation		M30 x 1.5
Materials		brass white bronze coated; sensing face: PBT; lock nuts: brass white bronze coated; Protective cover: PA
Displays / operating elements		
Display	switching status	1 x LED, yellow
Electrical connection		
Required protection		miniature fuse to IEC60127-2 sheet 1; ≤ 2 A; fast acting; Place the fuse outside the hazardous area.
Accessories		
Items supplied		lock nuts: 3 Protective cover: 1
Remarks		
Remarks		Recommendation: Check the safe functioning of the unit after a short circuit.
Pack quantity		1 pcs.

II001A



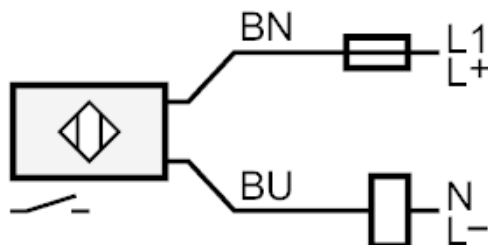
Inductive sensor

IIA2015-ABOA/6M/3D

Electrical connection

Cable: 6 m, PVC; 2 x 0.50 mm²

Connection



Note miniature fuse to IEC60127-2 sheet 1 \leq 2 A fast acting

Place the fuse outside the hazardous area.

Core colours :

BN = brown

BU = blue