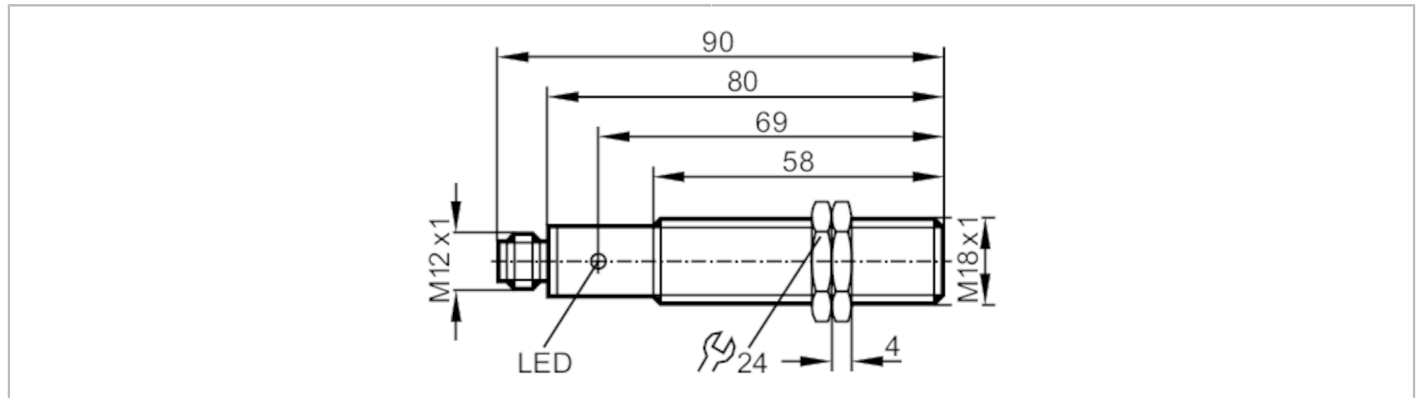


# IG5806



## Inductive sensor

IGA2005-FRKG/V4A/US-100-IRF/AU



### Product characteristics

Electrical design	PNP/NPN	
Output function	normally open / normally closed; (selectable)	
Sensing range [mm]	5	
Housing	threaded type	
Dimensions [mm]	M18 x 1 / L = 90	

### Application

Special feature	Gold-plated contacts
-----------------	----------------------

### Electrical data

Operating voltage [V]	10...55 DC
Protection class	II
Reverse polarity protection	yes

### Outputs

Electrical design	PNP/NPN	
Output function	normally open / normally closed; (selectable)	
Max. voltage drop switching output DC [V]	4.6	
Minimum load current [mA]	4	
Max. leakage current [mA]	0.8	
Permanent current rating of switching output DC [mA]	400	
Switching frequency DC [Hz]	700	
Short-circuit protection	yes	
Type of short-circuit protection	pulsed	
Overload protection	yes	

### Detection zone

Sensing range [mm]	5	
Real sensing range Sr [mm]	5 ± 10 %	
Operating distance [mm]	0...4.05	

# IG5806



## Inductive sensor

IGA2005-FRKG/V4A/US-100-IRF/AU

### Accuracy / deviations

Correction factor	steel: 1 / stainless steel: 0.7 / brass: 0.5 / aluminium: 0.4 / copper: 0.3	
Hysteresis [% of Sr]	3...15	
Switch point drift [% of Sr]	-10...10	

### Operating conditions

Ambient temperature [°C]	-25...80	
Protection	IP 67	

### Tests / approvals

EMC	EN 60947-5-2	
	EN 55011	class B
MTTF [years]	1835	

### Mechanical data

Weight [g]	68	
Housing	threaded type	
Mounting	flush mountable	
Dimensions [mm]	M18 x 1 / L = 90	
Thread designation	M18 x 1	
Materials	stainless steel (1.4571/316Ti); sensing face: PBT	

### Displays / operating elements

Display	switching status	1 x LED, yellow
---------	------------------	-----------------

### Accessories

Items supplied	lock nuts: 2	
----------------	--------------	--

### Remarks

Pack quantity	1 pcs.	
---------------	--------	--

### Electrical connection - plug

Connector: 1 x M12; Contacts: gold-plated



# IG5806



## Inductive sensor

IGA2005-FRKG/V4A/US-100-IRF/AU

