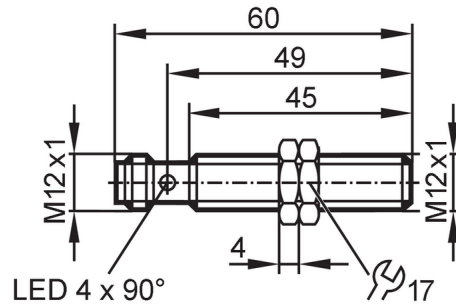


IFT240



Inductive full-metal sensor

IFK3003BBPKG/AM/V4A/US-104



Product characteristics

Electrical design	PNP
Output function	normally open
Sensing range [mm]	3
Housing	threaded type
Dimensions [mm]	M12 x 1 / L = 60

Application

Special feature	Gold-plated contacts; Increased sensing range; Full-metal housing
Application	Use in hygienic areas / regular cleaning processes
Pressure rating	100 bar 10 MPa
Note on pressure rating	sensing face

Electrical data

Operating voltage [V]	10...30 DC
Current consumption [mA]	< 20
Protection class	III
Reverse polarity protection	yes

Outputs

Electrical design	PNP
Output function	normally open
Max. voltage drop switching output DC [V]	2.5
Permanent current rating of switching output DC [mA]	100
Switching frequency DC [Hz]	100
Short-circuit protection	yes
Type of short-circuit protection	pulsed
Overload protection	yes

Detection zone

Sensing range [mm]	3
Operating distance [mm]	0...2.4
Increased sensing range	yes

Accuracy / deviations

Correction factor	steel: 1 / stainless steel: 0.6 / brass: 0.7 / aluminium: 0.6 / copper: 0.3
-------------------	---

IFT240



Inductive full-metal sensor

IFK3003BBPKG/AM/V4A/US-104

Hysteresis	[% of Sr]	1...20
------------	-----------	--------

Operating conditions

Ambient temperature	[°C]	0...100
---------------------	------	---------

Protection		IP 68; IP 69K
------------	--	---------------

Tests / approvals

EMC	EN 61000-4-2 ESD	4 kV CD / 8 kV AD
-----	------------------	-------------------

EN 61000-4-3 HF radiated	10 V/m
--------------------------	--------

EN 61000-4-4 Burst	2 kV
--------------------	------

EN 61000-4-6 HF conducted	10 V
---------------------------	------

EN 55011 emission	class B
-------------------	---------

Impact resistance		1 J
-------------------	--	-----

MTTF	[years]	1104
------	---------	------

Embedded software included		yes
----------------------------	--	-----

UL approval	Ta	-25...70 °C
-------------	----	-------------

Enclosure type	Type 1
----------------	--------

power supply	Limited Voltage/Current
--------------	-------------------------

UL approval no.	A012
-----------------	------

File number UL	E174191
----------------	---------

Mechanical data

Weight	[g]	28.4
--------	-----	------

Housing		threaded type
---------	--	---------------

Mounting		flush mountable
----------	--	-----------------

Dimensions	[mm]	M12 x 1 / L = 60
------------	------	------------------

Thread designation		M12 x 1
--------------------	--	---------

Materials		housing: stainless steel (316L/1.4404); sensing face: stainless steel (316L/1.4404); LED window: PEI; lock nuts: stainless steel (316L/1.4404)
-----------	--	--

Tightening torque	[Nm]	15
-------------------	------	----

Full-metal housing		yes
--------------------	--	-----

Displays / operating elements

Display	switching status	4 x 90° LED, yellow
---------	------------------	---------------------

Accessories

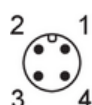
Items supplied		lock nuts: 2
----------------	--	--------------

Remarks

Pack quantity		1 pcs.
---------------	--	--------

Electrical connection - plug

Connector: 1 x M12; coding: A; Contacts: 4, gold-plated



IFT240



Inductive full-metal sensor

IFK3003BBPKG/AM/V4A/US-104

Connection

