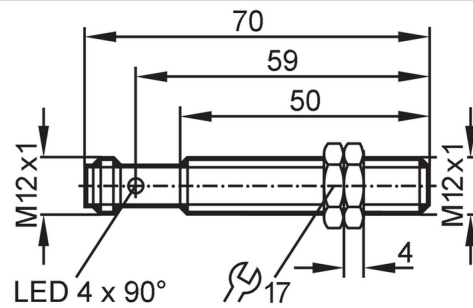


IFS208



Inductive sensor

IFKC004BASKG/2LED/US-104



Product characteristics

Electrical design	PNP/NPN
Output function	normally open
Sensing range [mm]	4
Housing	threaded type
Dimensions [mm]	M12 x 1 / L = 70

Application

Special feature	Gold-plated contacts; Increased sensing range; Optical setting aid
Application	Industrial applications / factory automation

Electrical data

Operating voltage [V]	10...30 DC
Current consumption [mA]	12; (24 V)
Protection class	II
Reverse polarity protection	yes

Outputs

Electrical design	PNP/NPN
Output function	normally open
Max. voltage drop switching output DC [V]	2.8
Minimum load current [mA]	2; (only in 2-wire operation)
Max. leakage current [mA]	0.5; (only in 2-wire operation)
Permanent current rating of switching output DC [mA]	100
Switching frequency DC [Hz]	500
Short-circuit protection	yes
Type of short-circuit protection	pulsed
Overload protection	yes

Detection zone

Sensing range [mm]	4
Real sensing range S_r [mm]	$4 \pm 10\%$
Operating distance [mm]	0...3.25
Increased sensing range	yes

IFS208



Inductive sensor

IFKC004BASKG/2LED/US-104

Accuracy / deviations		
Correction factor	steel: 1 / stainless steel: 0.7 / brass: 0.5 / aluminium: 0.4 / copper: 0.3	
Hysteresis [% of Sr]	3...15	
Switch point drift [% of Sr]	-10...10	
Operating conditions		
Ambient temperature [°C]	-25...70	
Protection	IP 67	
Tests / approvals		
EMC	EN 61000-4-2 ESD	4 kV CD / 8 kV AD
	EN 61000-4-3 HF radiated	10 V/m
	EN 61000-4-4 Burst	2 kV
	EN 61000-4-6 HF conducted	10 V
	EN 55011	class B
UL approval	Ta	0...40 °C
	Enclosure type	Type 1
	power supply	Hazardous voltage
	File number UL	E174191
Mechanical data		
Weight [g]	31.1	
Housing	threaded type	
Mounting	flush mountable	
Dimensions [mm]	M12 x 1 / L = 70	
Thread designation	M12 x 1	
Materials	housing: brass white bronze coated; sensing face: PBT	
Displays / operating elements		
Display	switching status	4 x 90° LED, yellow
	setting aid	1 x LED, red
Optical setting aid	yes	
Accessories		
Items supplied	lock nuts: 2	
Remarks		
Remarks	suitable for PLC type 1 according to IEC 61131-2	
Pack quantity	1 pcs.	

IFS208



Inductive sensor

IFKC004BASKG/2LED/US-104

Electrical connection - plug

Connector: 1 x M12; coding: A; Contacts: gold-plated

