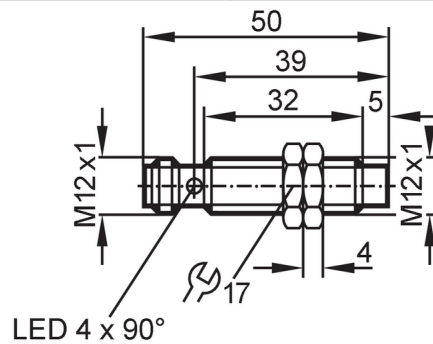


IFS201



Inductive sensor

IFB2007-ARKG/M/US-104-DRS



Product characteristics

| | | |
|-------------------|------|------------------|
| Electrical design | | PNP/NPN |
| Output function | | normally open |
| Sensing range | [mm] | 7 |
| Housing | | threaded type |
| Dimensions | [mm] | M12 x 1 / L = 50 |

Application

| | | |
|-----------------|--|---|
| Special feature | | Gold-plated contacts; Increased sensing range |
| Application | | Industrial applications / factory automation |

Electrical data

| | | |
|-----------------------------|-----|------------|
| Operating voltage | [V] | 10...30 DC |
| Protection class | | II |
| Reverse polarity protection | | yes |

Outputs

| | | |
|---|------|---------------|
| Electrical design | | PNP/NPN |
| Output function | | normally open |
| Max. voltage drop switching output DC | [V] | 2.5 |
| Minimum load current | [mA] | 2 |
| Max. leakage current | [mA] | 0.5 |
| Permanent current rating of switching output DC | [mA] | 100 |
| Switching frequency DC | [Hz] | 700 |
| Short-circuit protection | | yes |
| Type of short-circuit protection | | pulsed |
| Overload protection | | yes |

Detection zone


| | | |
|--------------------------|------|--------------|
| Sensing range | [mm] | 7 |
| Real sensing range S_r | [mm] | $7 \pm 10\%$ |
| Operating distance | [mm] | 0...5.7 |
| Increased sensing range | | yes |

IFS201



Inductive sensor

IFB2007-ARKG/M/US-104-DRS

| Accuracy / deviations | | |
|---|---|---------------------|
| Correction factor | steel: 1 / stainless steel: 0.7 / brass: 0.5 / aluminium: 0.4 / copper: 0.3 | |
| Hysteresis [% of Sr] | 3...15 | |
| Switch point drift [% of Sr] | -10...10 | |
| Operating conditions | | |
| Ambient temperature [°C] | -25...70 | |
| Protection | IP 67 | |
| Tests / approvals | | |
| EMC | EN 61000-4-2 ESD | 4 kV CD / 8 kV AD |
| | EN 61000-4-3 HF radiated | 10 V/m |
| | EN 61000-4-4 Burst | 2 kV |
| | EN 61000-4-6 HF conducted | 10 V |
| | EN 55011 | class B |
| MTTF [years] | 2487 | |
| UL approval | Ta | 0...40 °C |
| | Enclosure type | Type 1 |
| | File number UL | E174191 |
| Mechanical data | | |
| Weight [g] | 26.5 | |
| Housing | threaded type | |
| Mounting | non-flush mountable | |
| Dimensions [mm] | M12 x 1 / L = 50 | |
| Thread designation | M12 x 1 | |
| Materials | housing: brass white bronze coated; sensing face: PBT | |
| Displays / operating elements | | |
| Display | switching status | 4 x 90° LED, yellow |
| Accessories | | |
| Items supplied | lock nuts: 2 | |
| Remarks | | |
| Pack quantity | 1 pcs. | |
| Electrical connection - plug | | |
| Connector: 1 x M12; coding: A; Contacts: gold-plated | | |
|  | | |

IFS201



Inductive sensor

IFB2007-ARKG/M/US-104-DRS

Connection

